

KICKSPACE® 500, 600 & 800 REMOTE CONTROL SWITCH. SWITCH INSTALLATION INSTRUCTIONS

Product Serial Number:

--	--	--	--	--	--

Please leave this manual with the end user.

Part Number: 1370062

- This remote control switch is suitable for operating one KICKSPACE® unit only.
- It is important that these instructions are read thoroughly before proceeding with the installation.
- This kit must be installed by a qualified electrician.
- This accessory pack is designed to convert a MYSON KICKSPACE® fan convector unit from integral switch controls providing Off and two fan speeds to a remote switching facility of the same sequence.
- This pack contains a three metre length of cord specially terminated and colour coded for the application. No other cord can be used to connect the remote control switch to the fan convector unit.

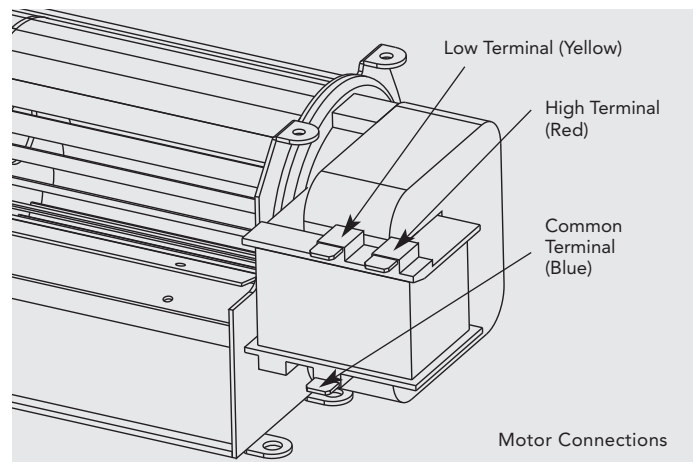
Important: Isolate the electricity supply to the KICKSPACE® fan convector. Do not reinstate the supply until the installation has been completed in accordance with these instructions.

1.0 Controls Switch

1. Locate a convenient wall space above the KICKSPACE® fan convector that will permit connection via the three metre cord supplied. The switch mounting point must be away from sources of moisture and heat.
2. Fit a suitable switch mounting box for the type of installation. Connect one end of the three metre cord to the remote switch as shown in the Remote Control Unit diagram on the back.
3. The cord must be installed in accordance with current codes of practice. It should preferably be recessed, but if exposed, it shall be protected by suitable conduit. Run the cord via the prepared route to the KICKSPACE® fan convector.

2.0 KICKSPACE® Unit

1. Remove the fixing screw(s) and lift the tabs holding the electrical connection cover in place.
2. Locate the fan speed switch on the front control panel. Disconnect the red and yellow wires that connect between this switch. Discard these wires.
3. Remove the brown wire from the back of the fan speed switch.
4. A cable clamp bush is supplied with the Remote Control Kit. Route the cable through the hole in the side panel, and make the following connections:
 - Yellow lead:**
Connect to the low fan speed spade connector.
 - Red lead:**
Connect to the high fan speed spade connector.
 - Brown lead:**
Connect to the brown wire disconnected from the fan speed switch.
 - Green/Yellow:**
Connect to chassis earth tag.



Fit the cable clamp bush onto the cable ensuring that internal wiring is not too tight, and that it does not contact the copper heat exchanger pipe-work.

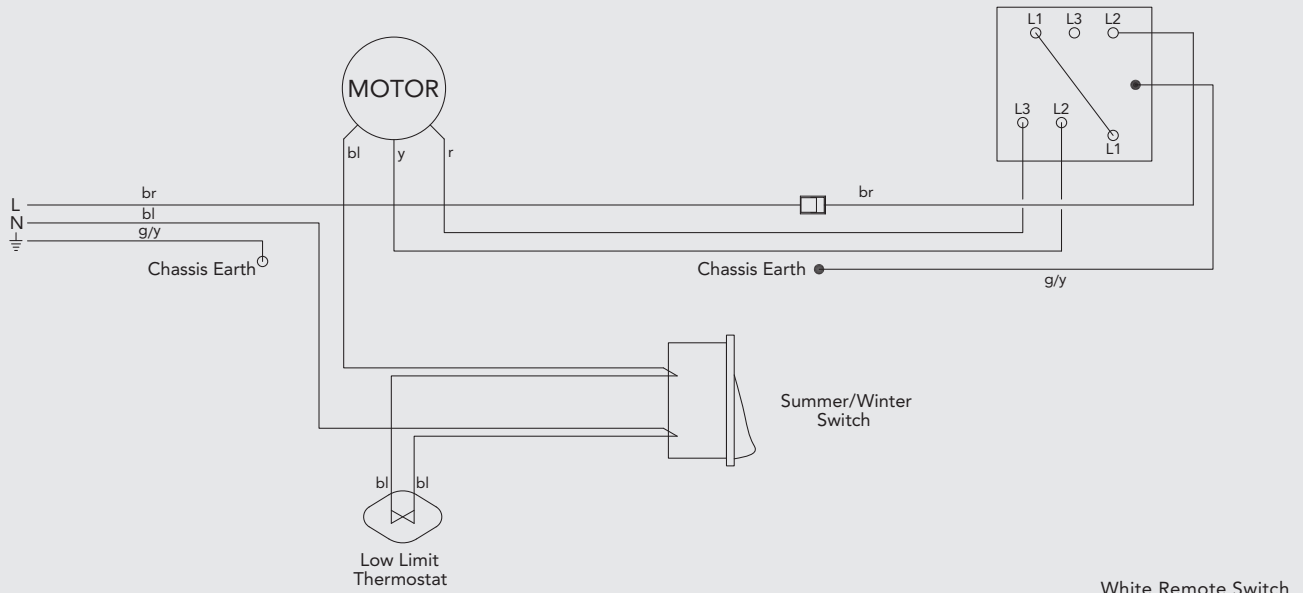
5. Refit the control cover onto the unit.
6. Reinststate the electrical supply to the KICKSPACE® fan convector.



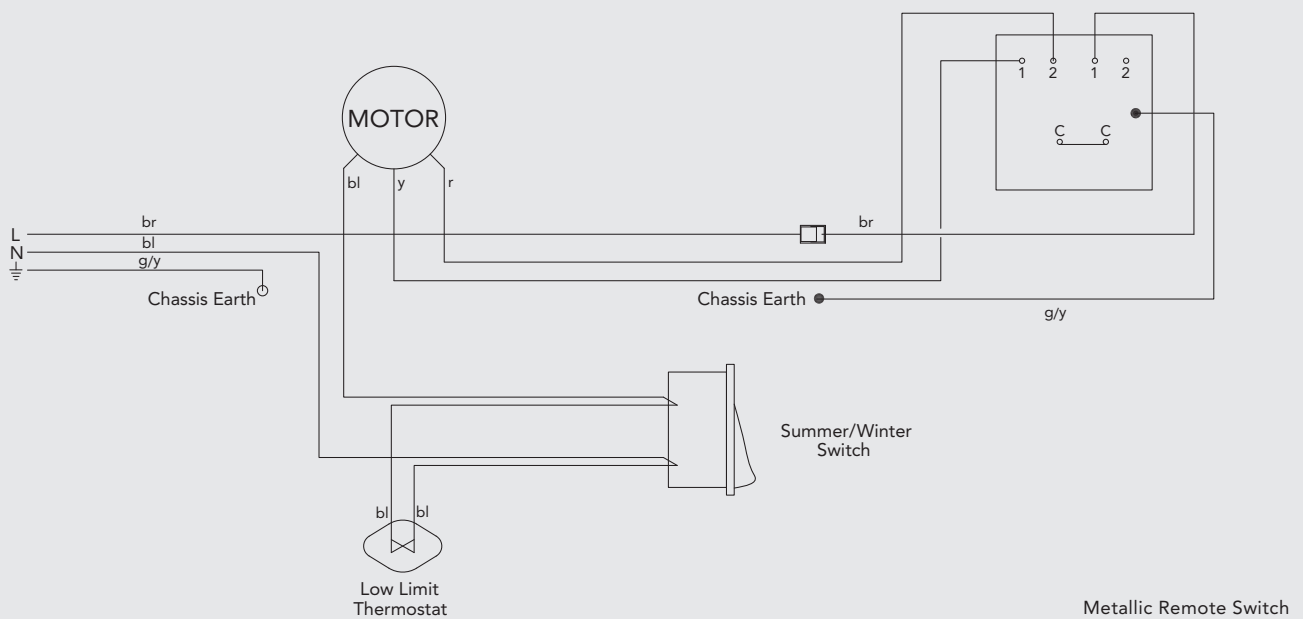
MYSON

MYSON Eastern Avenue, Team Valley, Gateshead, Tyne & Wear NE11 0PG, UK
T: 0845 402 3434, F: 0191 491 7568, sales@myson.co.uk, www.myson.co.uk

NOTE: The addition of the Remote Control Switch renders the integral fan speed control switch inoperative. The Summer/Winter switch operation remains unchanged.



White Remote Switch



Metallic Remote Switch

After Sales Service

MYSON SERVICE, Unicorn Trading Park, Somerden Road, Hull, HU9 5PE, UK
T: 01482 711709 Fax 01482 787221, service.convectors@myson.co.uk, www.myson.co.uk
Spare parts and technical help on all Convectors products are available from MYSON SERVICE.

