



# Installation and user manual



Heating and  
Cooling



Boiler or HP  
compatibility



Pump exercise  
function



Alarm  
function

**Unisenza** - Wiring Centre

EN





# Index

1	SAFETY WARNING .....	4
2	TECHNICAL SPECIFICATIONS.....	4
3	REFERENCE STANDARDS.....	4
4	LIST OF CONTENTS.....	5
4.1	Wiring Center with DIN rail - (230 V).....	5
4.2	Wiring Center with DIN rail - (24 V).....	5
4.3	Wiring Center without DIN rail - (230 V / 24 V).....	6
5	DIMENSIONS.....	6
6	INSTALLATION .....	7
7	MAIN WIRING DIAGRAM.....	9
7.1	Fuse (A) .....	9
7.2	Main supply and earth connection.....	9
7.3	Pump terminals.....	10
7.4	Generator terminals .....	12
7.5	Changeover output terminals.....	12
7.6	Changeover input terminals.....	12
7.7	Alarm terminals .....	13
7.8	Thermostat + actuator zone terminals .....	14
7.9	Dip Switch .....	15
7.10	Lights.....	15
8	USER'S GUIDE.....	16
8.1	Functions.....	16
8.1.1	NSB (Night Setback).....	16
8.1.2	Change Over.....	16
8.1.3	Pump delay.....	16
8.1.4	Pump exercise function .....	16
8.2	Wiring diagrams.....	17
8.2.1	Diagram 1: Heating only.....	18
8.2.2	Diagram 2: Heating only with NSB by WiFi thermostat.....	18
8.2.3	Diagram 3: Heating only with NSB by external clock.....	19
8.2.4	Diagram 4: Heating only with all WiFi thermostats.....	19
8.2.5	Diagram 5: Heating and cooling with change over by thermostats .....	20
8.2.6	Diagram 6: Heating and cooling with NSB by WiFi thermostat and change over by thermostats .....	21
8.2.7	Diagram 7: Heating and cooling with change over by thermostats or by Wiring Centre COin .....	22
8.2.8	Diagram 8: Heating and cooling with NSB by WiFi thermostat and change over by thermostats or by Wiring Centre COin.....	23
8.2.9	Diagram 9: Heating and cooling with all WiFi thermostat and change over by thermostats .....	24
8.2.10	Diagram 10: Heating and cooling with all Dial thermostat and change over only by Wiring Centre COin.....	25
9	WEEE DIRECTIVE APPLICATION .....	26

## 1 SAFETY WARNING

During installation and operation of the device, it is necessary to comply with the following instructions:

- 1) The device must be installed by a skilled person, in strict compliance with the connection diagrams.
- 2) Do not power on or connect the device if any part of it is damaged.
- 3) After installation, inaccessibility to the connection terminals without appropriate tools must be granted.
- 4) The device must be installed and activated in compliance with current electric systems standards.
- 5) Before accessing the connection terminals, verify that the leads are not live.

## 2 TECHNICAL SPECIFICATIONS

- Purpose of control: electronic thermostat;
- Supply voltage:
  - 230 Vac version: 230 V~ ±10 % - 50/60 Hz
  - 24 Vac version: 24 V~ ±10 %;
- Fuse: 5x20, 5 A 250 V;
- Power consumption: depends on the loads connected;
- Capacity of the contacts:
  - Pump output: 10 A 250 V~ (Live and neutral for 230 Vac Wiring centre version and free contact for 24 Vac Wiring Centre version);
  - Generator output: 10 A 250 V~ (voltage free);
  - Change output (COout): 10 A 250 V~ (voltage free);
  - Zones: The maximum output power of each zones depends of the thermostat connecting on this zone but for easy installation we recommend:
    - 230 Vac - 10 zones version: a maximum of 10 actuators by zones and maximum 20 actuators for the Wiring Centre;
    - 230 Vac - 5 zones version: a maximum of 10 actuators by zones and maximum 20 actuators for the Wiring Centre;
    - 24 Vac - 10 zones version: a maximum of 4 actuators by zones and maximum 10 actuators for the Wiring Centre;
- Construction: Class II;
- Ingress protection: IP 20;
- Operating temperature: 0 °C...40 °C;
- Operating humidity: 20 %...90 % rH non condensing;
- Storage temperature: -20 °C...60 °C;
- Shock load voltage: 2,5 KV;
- Temperature for Ball Pressure Test: 90° C;
- Pollution degree: 2 (normal).

## 3 REFERENCE STANDARDS

Conformity with EU directives:

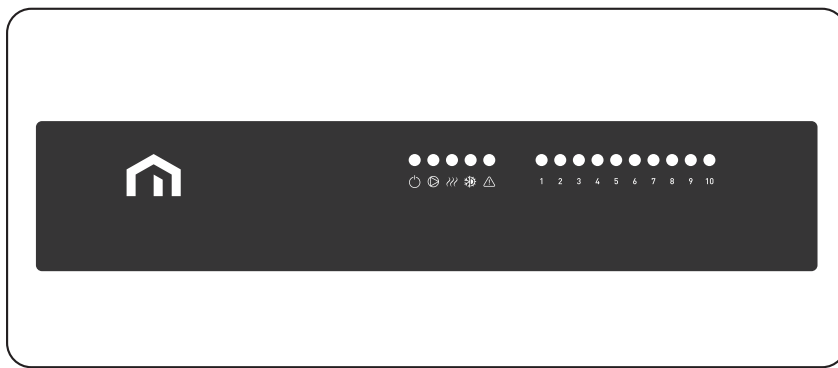
2014/35/EU (LVD)  
2014/30/EU (EMCD)  
2011/65/EU (ROHS)

is declared with reference to the following standard:

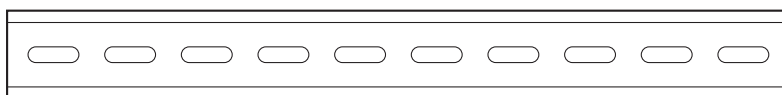
EN 60730-1, EN 60730-2-9, EN 60669-2-1, EN 61000-3-2, EN 61000-3-3, EN 50581.

## 4 LIST OF CONTENTS

### 4.1 Wiring Center with DIN rail - (230 V)



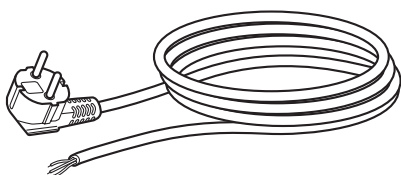
Wiring Centre - 1 Pcs



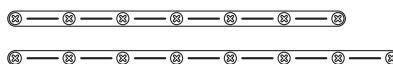
DIN rail - 1 Pcs



Grommet plug - 13 Pcs



Cable (1.5 m) with Schuko plug - 1 Pcs



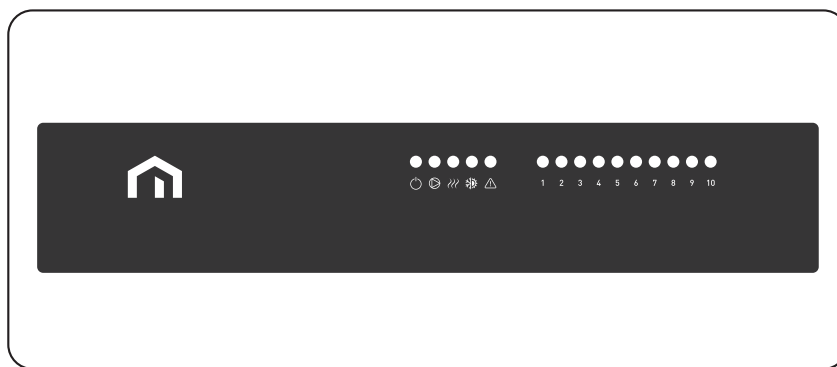
Cable clamps - 2 Pcs



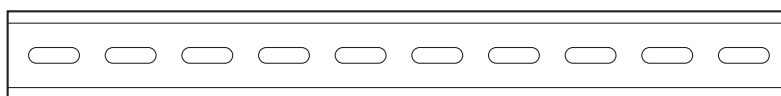
Screws -18 Pcs

Note. Cable with Schuko plug, the shorter cable clamp, one grommit plug and three screws are already installed in the Wiring Center at the factory.

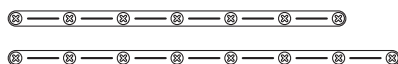
### 4.2 Wiring Center with DIN rail - (24 V)



Wiring Centre - 1 Pcs



DIN rail - 1 Pcs



Cable clamps - 2 Pcs

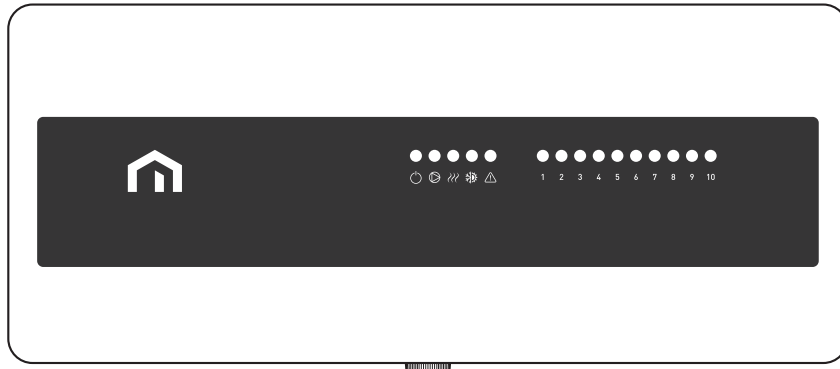


Screws -18 Pcs

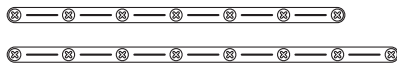


Grommet plug - 13 Pcs

### 4.3 Wiring Center without DIN rail - (230 V / 24 V)



Wiring Centre - 1 Pcs



Cable clamps - 2 Pcs

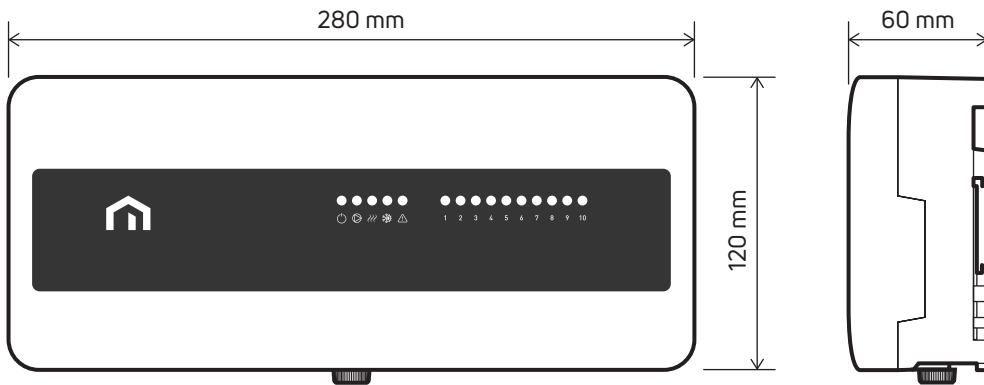


Screws -18 Pcs



Grommet plug - 13 Pcs

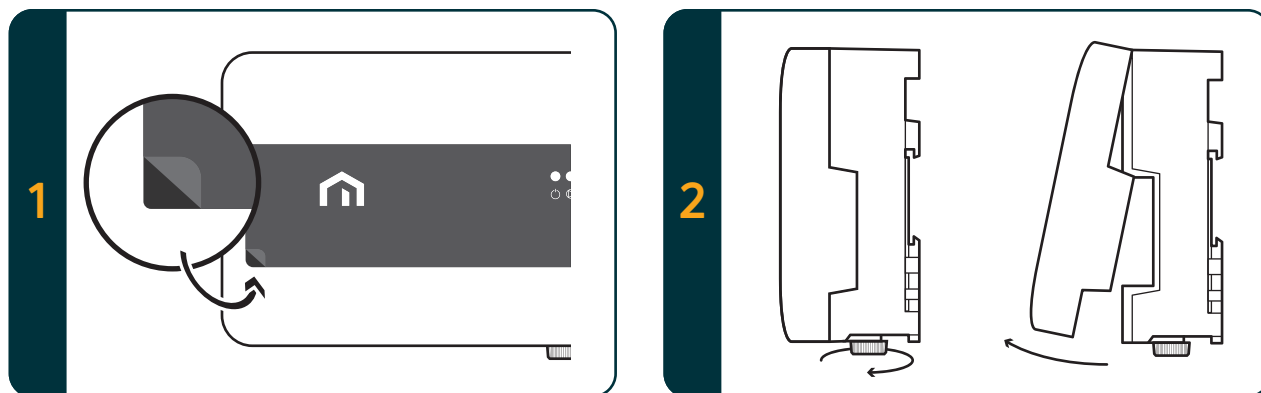
### 5 DIMENSIONS



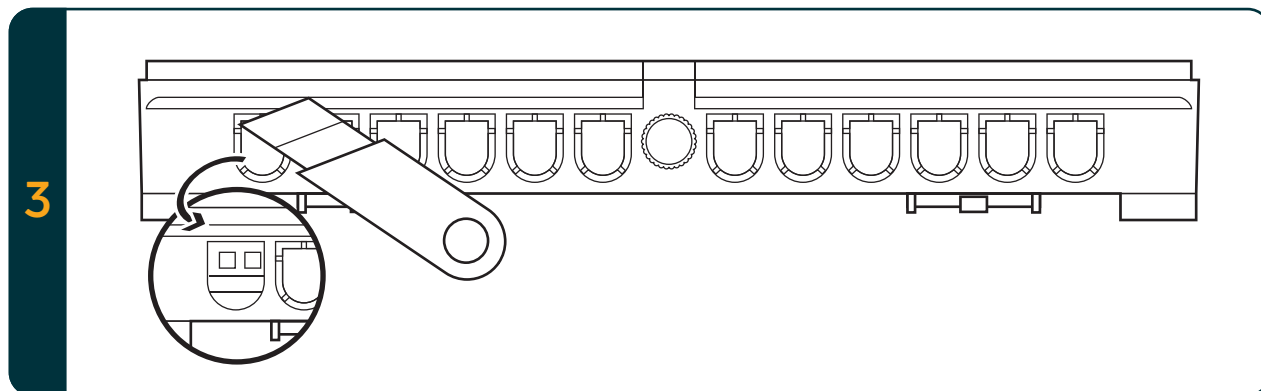
## 6 INSTALLATION

Remove the protective film from the cover.

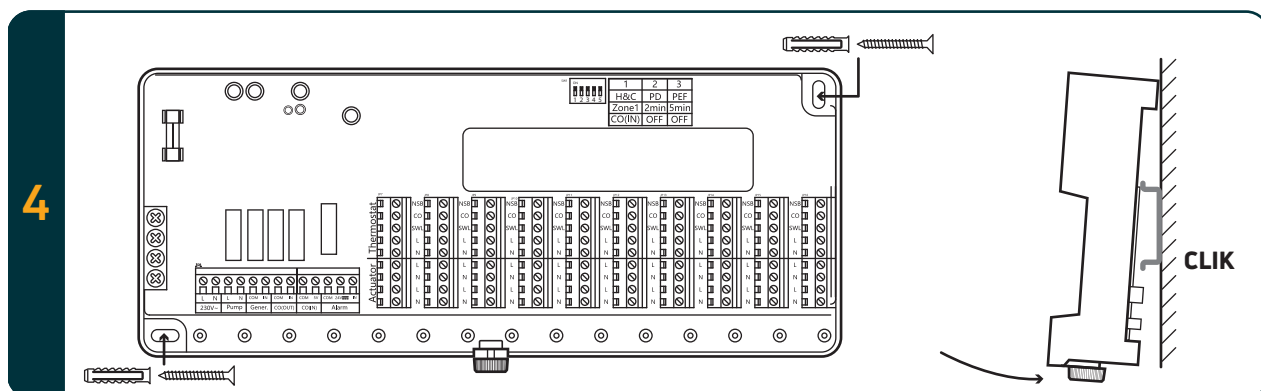
To remove the front cover of the Purmo Unisenza Wiring Centre, turn the white screw (not remove it) on the bottom counter clockwise and pull the cover off.



Remove only the plastic covers for the cables that are necessary for the installation. Use a scissors to remove them. Insert the rubber plug, present in the package, in the holes.

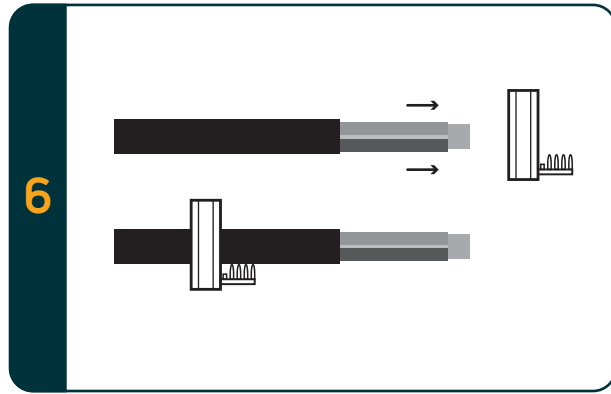
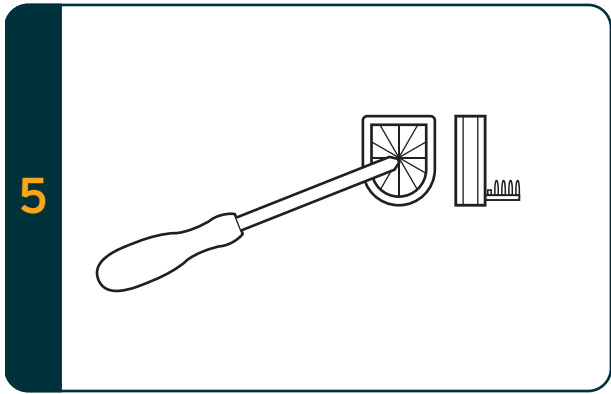


The Unisenza Wiring Centre can be mounted directly to the wall using the two screw holes in the back (screws and plugs not included), or alternatively, the Wiring Centre can be DIN rail mounted as shown below (DIN rail is included in UNISENZA Wiring Centre with DIN rail version):

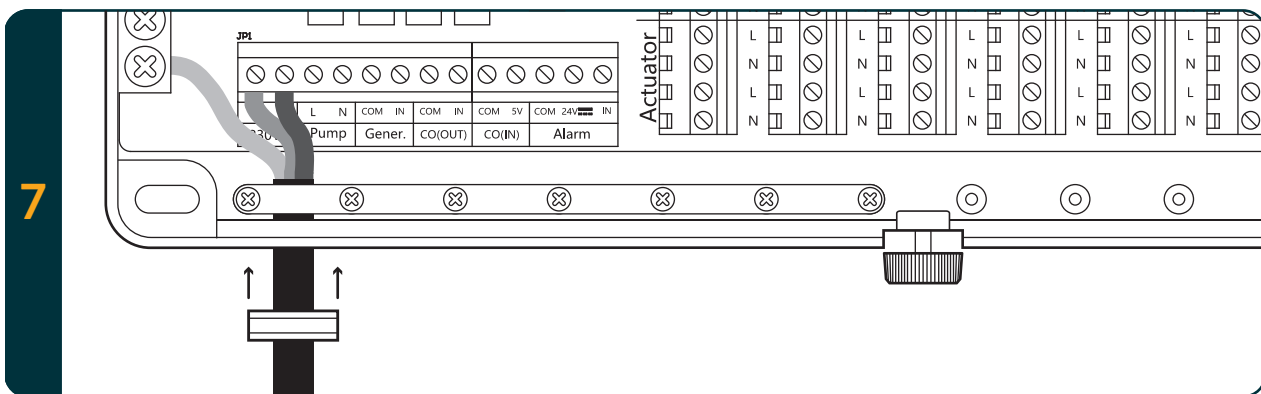


EN

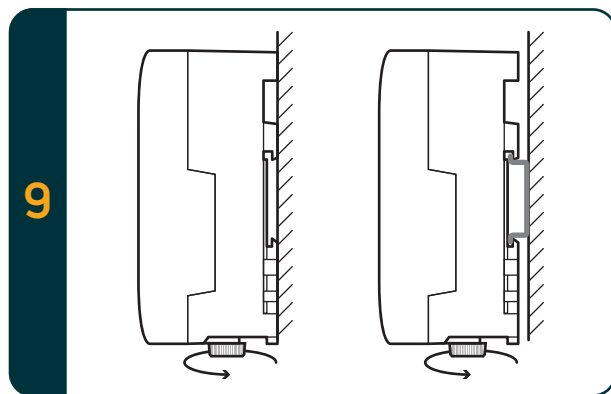
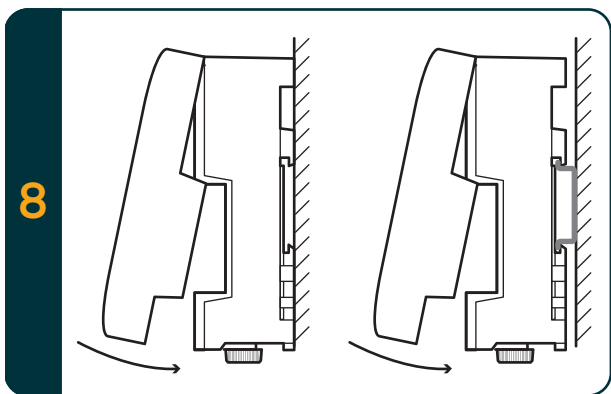
Cut the grommet plug.  
Plug the cable in the grommet plug.



Use cable size 0,75 - 1,5 mm<sup>2</sup> for solid core cable. For the cable supply cable use cable type H05VV-F 3x0,75mm<sup>2</sup>. The wires length should be measured according to the distance of the terminals from the cable clamp. After fixing the wires in the relative terminals, screw the screws of the cable clamp to lock the cable. Insert the grommet plug into the hole

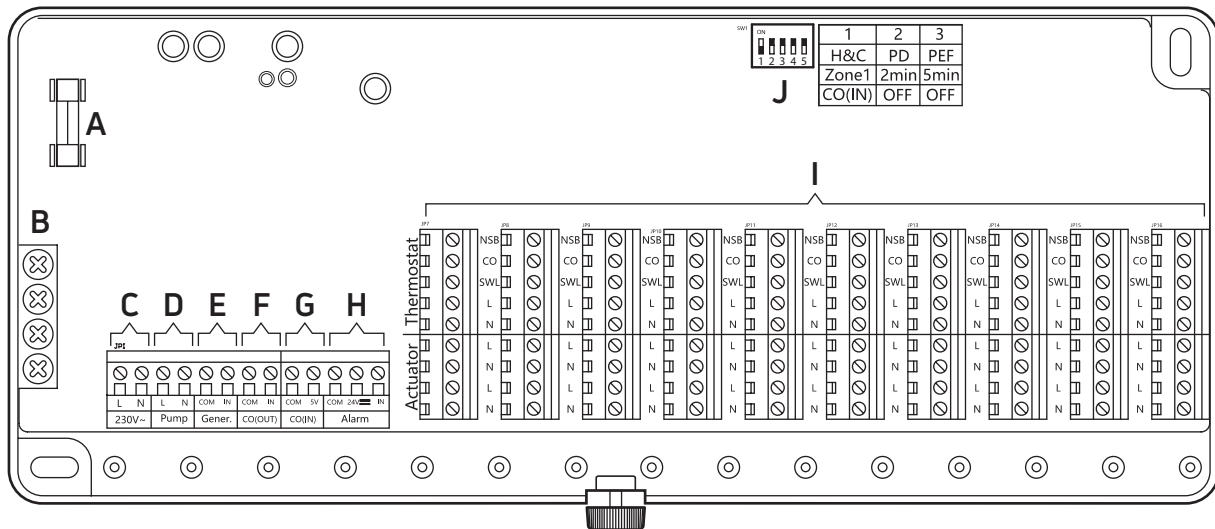


Put the front cover on like shown below.  
Turn the white screw clockwise to fix the front cover.





## 7 MAIN WIRING DIAGRAM



**A** = Fuse **B** = earth connector **C** = power supply terminal **D** = Pump terminal **E** = Generator terminal  
**F** = Changeover output terminal **G** = Changeover input terminal **H** = alarm input terminal  
**I** = Thermostat and actuator terminals **J** = Dip switch

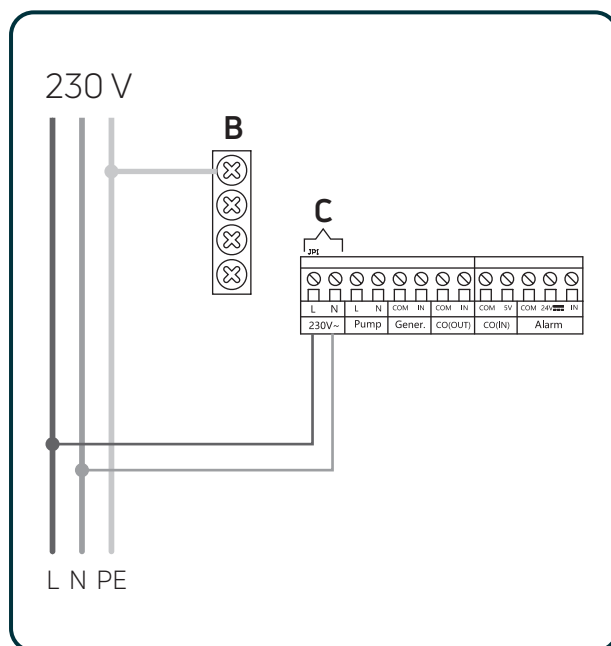
### 7.1 Fuse (A)

5 Amp, 20mm anti-surge fuse. This fuse supplies power to all 230v outputs from the Wiring Centre. The fuse also protects the zone & pump outputs.

### 7.2 Main supply and earth connection

Power supply terminals (C.):

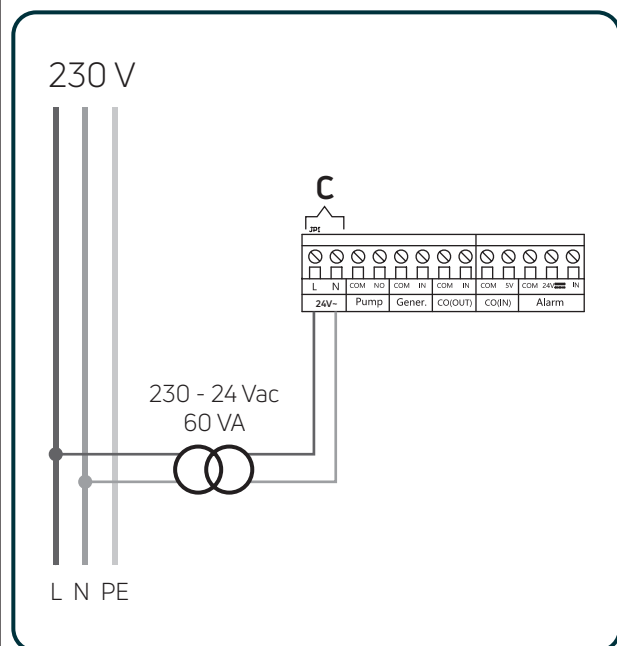
230 Vac Wiring Centre version



L: Live 230 Vac 50/60 Hz  
 N: Neutral

Connect the earth wire to the earth connector (B.)

24 Vac Wiring Centre version

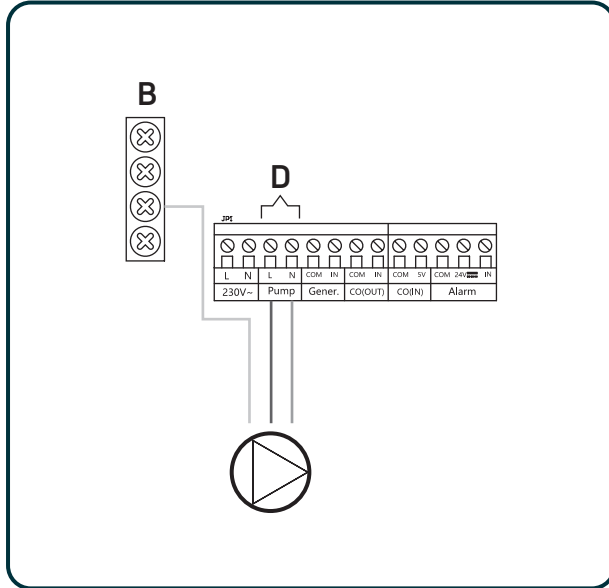


L: Live 24 Vac  
 N: Neutral 24 Vac

### 7.3 Pump terminals

Power supply terminals for the pump (D):  
One Pump < 100 W

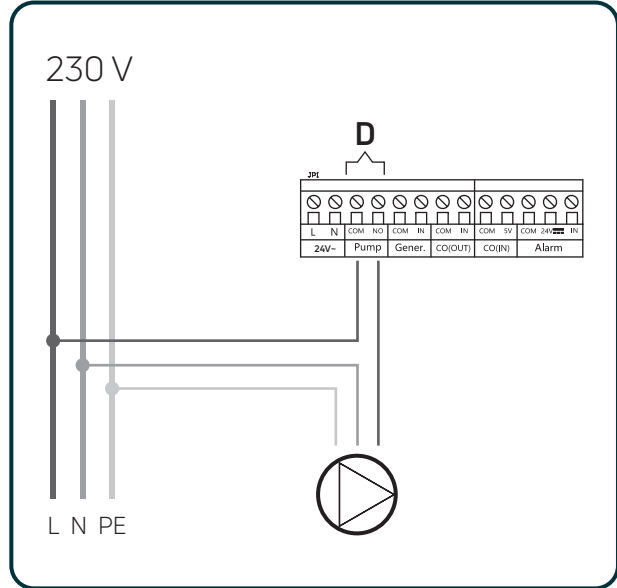
230 Vac Wiring Centre version



L: Live 230 Vac 50/60 Hz  
N: Neutral

Connect the earth wire to the earth connector (B.)

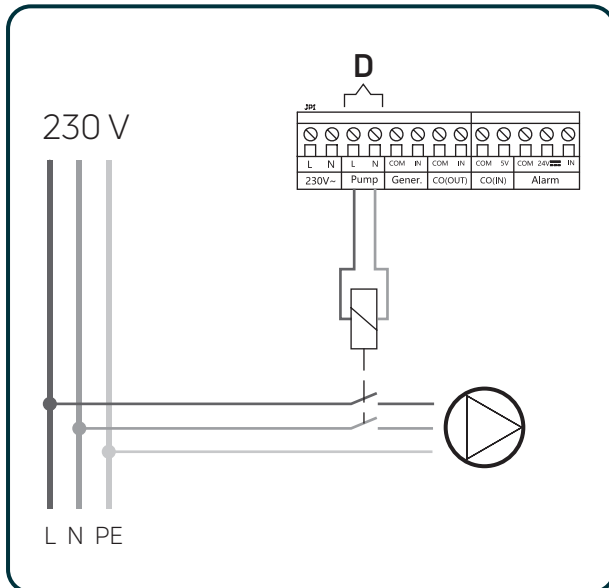
24 Vac Wiring Centre version



L: Live 24 Vac  
N: Neutral 24 Vac

One Pump > 100 W

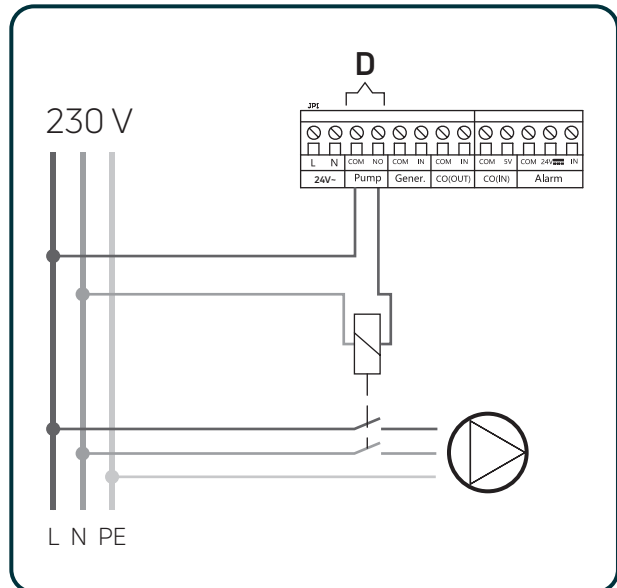
230 Vac Wiring Centre version



Live, Neutral and Earth supply (230 Vac 50/60 Hz) external from the wiring centre.

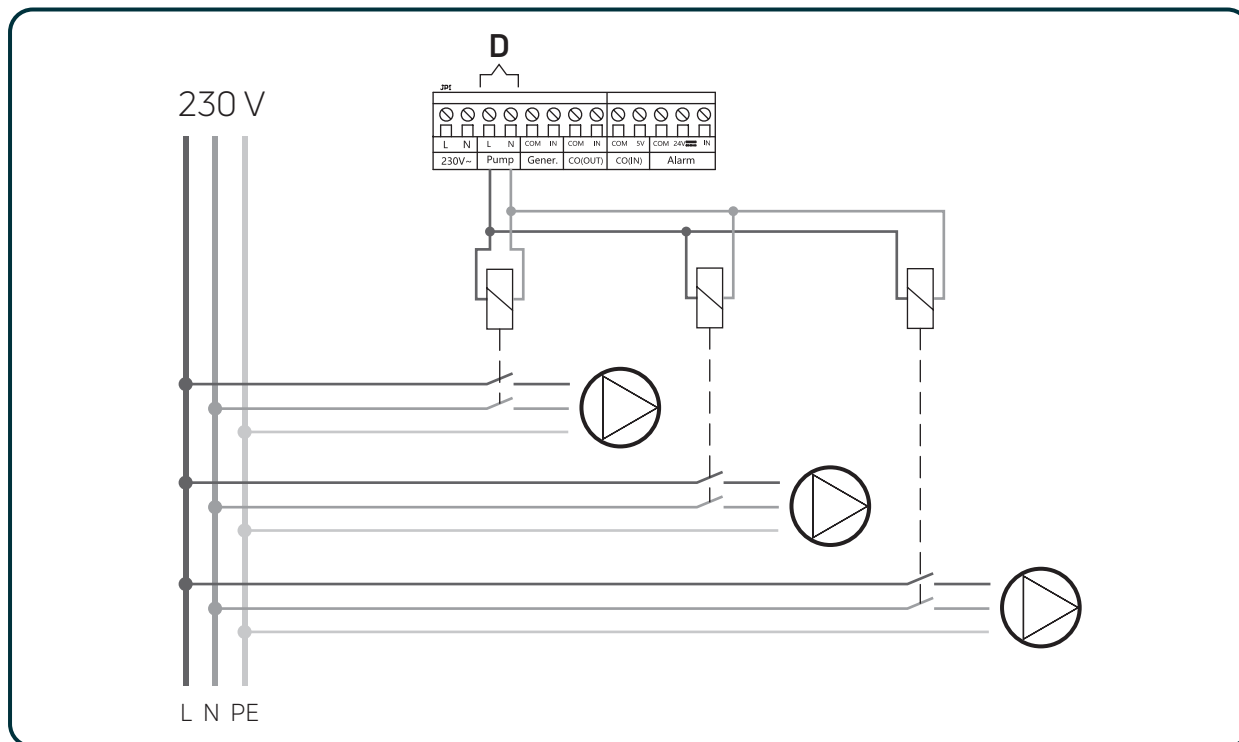
Use a suitable relay and connect it as shown in the example according to the version of the wiring center.

24 Vac Wiring Centre version



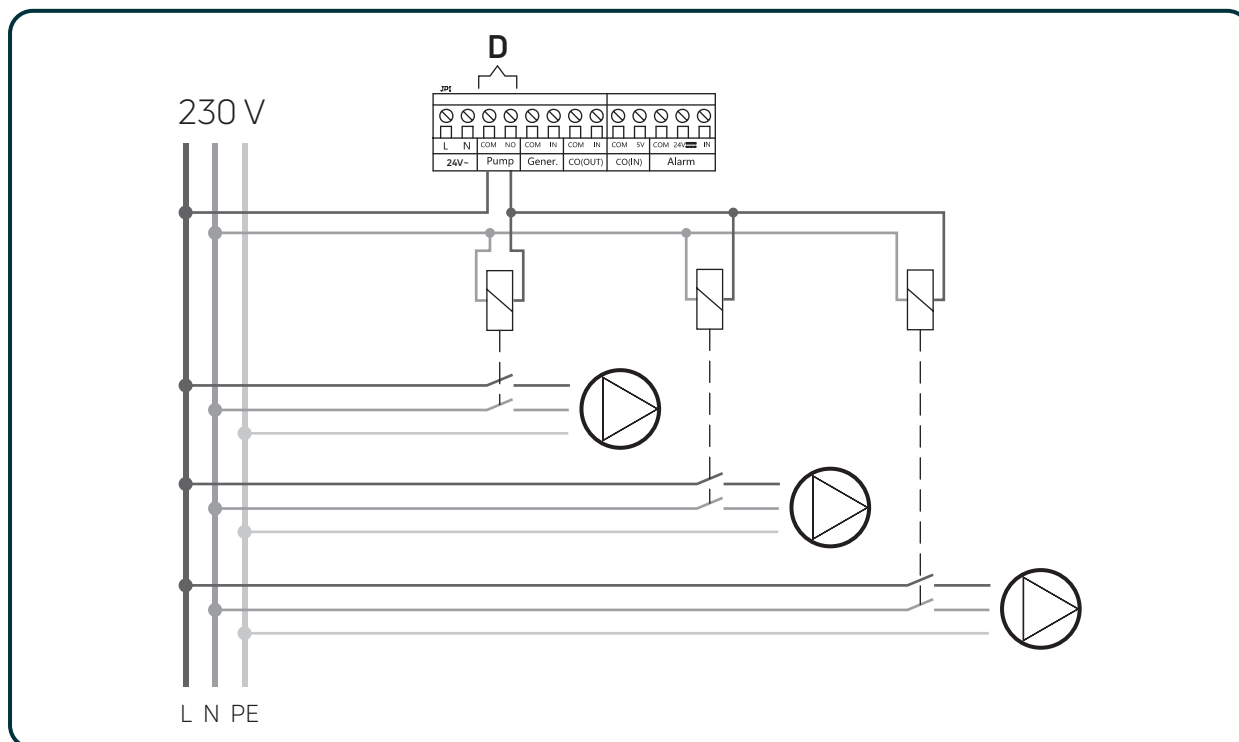
More than one Pump > 100 W

230 Vac Wiring Centre version



Live, Neutral and Earth supply (230 Vac 50/60 Hz) external from the wiring centre. Use a suitable relays and connect them as shown in the example of three pumps according to the version of the wiring center.

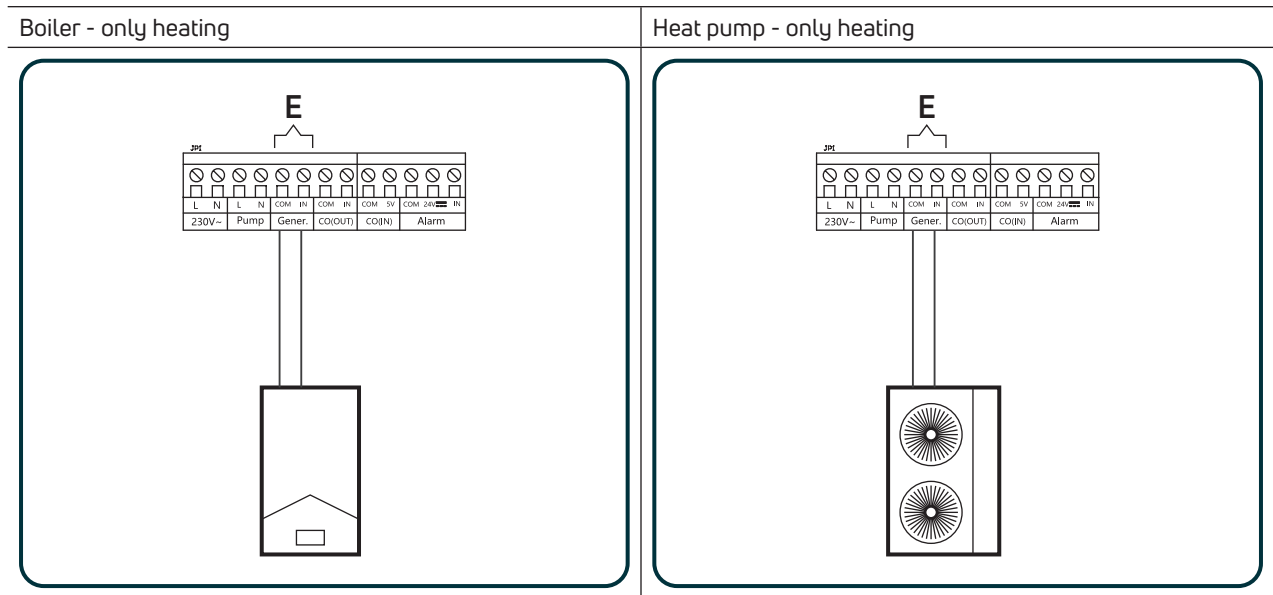
24 Vac Wiring Centre version



Live, Neutral and Earth supply (230 Vac 50/60 Hz) external from the wiring centre. Use a suitable relays and connect them as shown in the example of three pumps according to the version of the wiring center.

### 7.4 Generator terminals

Free contact terminals (E.: COM, NO) for the interlock of the generator (Boiler, heat pump...).



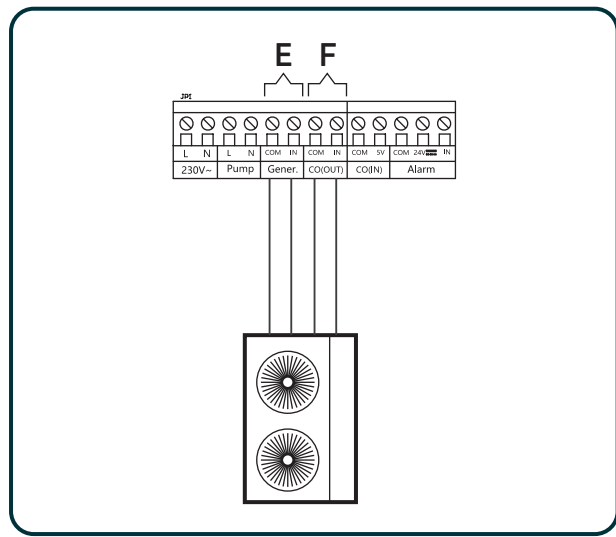
### 7.5 Changeover output terminals

Free of voltage terminals (F.: COM, NO) digital output for the change over.

If the plant works in heating and in cooling, the wiring centre can manage the changeover of a Heat Pump through this output:

- Heating: the contact is closed
- Cooling: the contact is opened

Heat pump - heating and cooling



### 7.6 Changeover input terminals

Free of voltage terminals (G.: COM, NO) digital input for the changeover:

- Heating: the contact is closed
- Cooling: the contact is opened

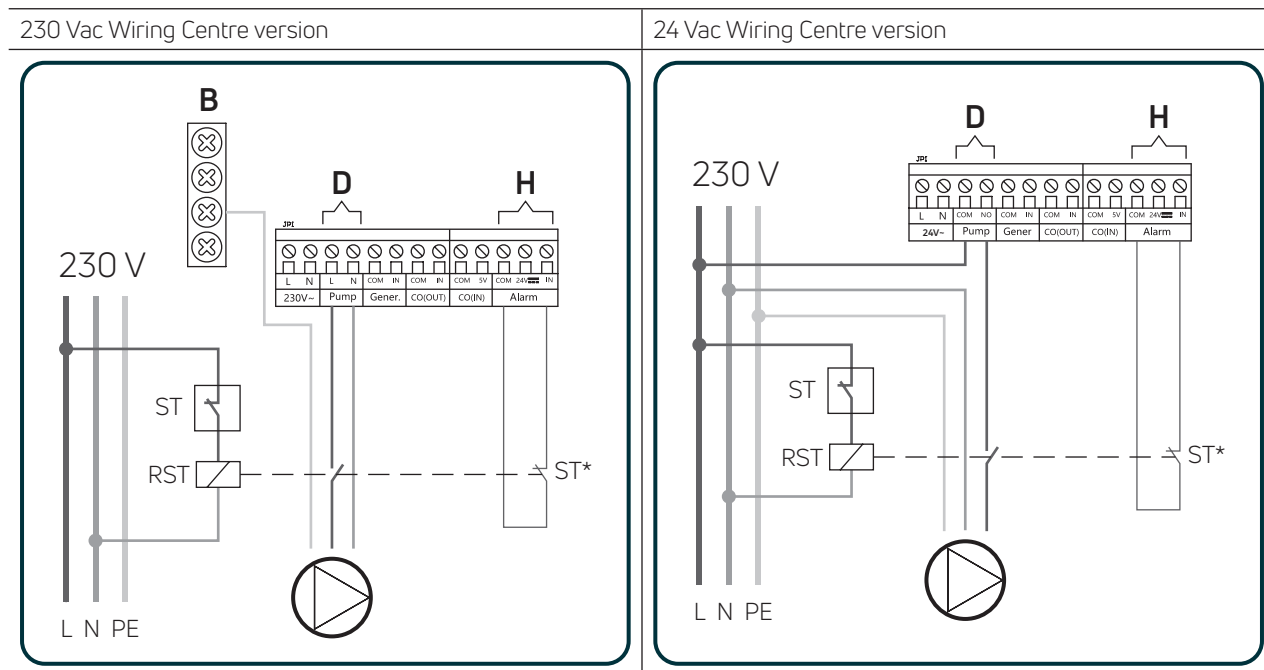
To use this input put the dip switch 1 in OFF (see the Dip Switch paragraph).

### 7.7 Alarm terminals

On the alarm terminals it is possible connect a safety thermostat and/or a dew point sensor:

#### Safety thermostat

In compliance with the UNI EN 1264-4 standard, a safety device (safety thermostat - ST) must be provided to disconnect the power supply to the low temperature area, above the intended limits. Install the safety thermostat with a relay with two contact, one for the live of the pump and the other for the alarm digital input (free contact). Here below is an example with the use of a "safety" relay (RST).



#### Dew point sensor

In cooling mode install the dew point sensor (optional) for each flow manifold of the system. Each flow manifold must be positioned in an area adjacent to the environment to be cooled in order to have the same conditions of temperature and humidity. Also the environment must be equipped with an adequate air treatment unit (for example, a dehumidifier adjusted by a humidistat to control the humidity).

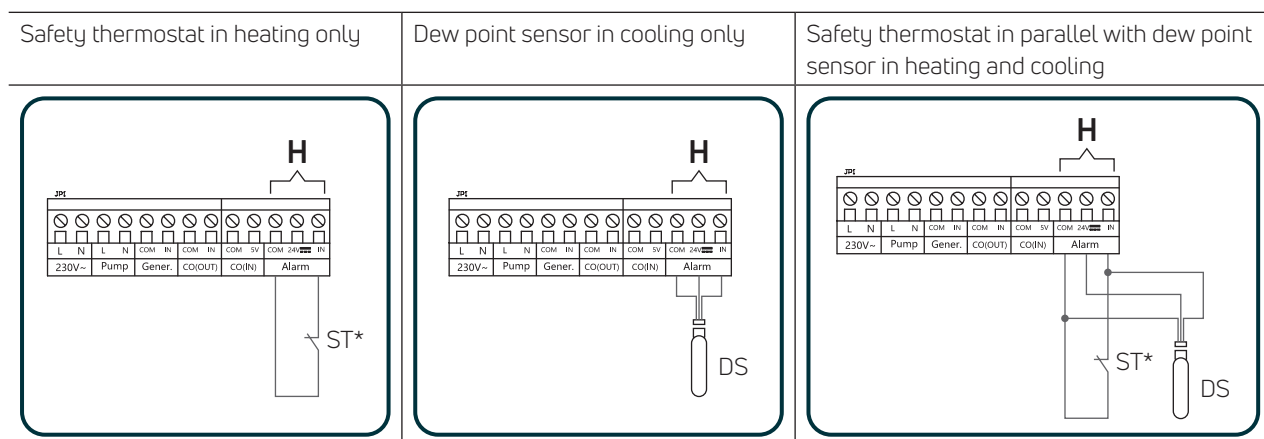
About the connection:

- black wire (common) to the terminal Alarm - COM
- grey wire (signal) to the terminal Alarm - IN
- red wire (power) to the terminal Alarm - 24 Vdc

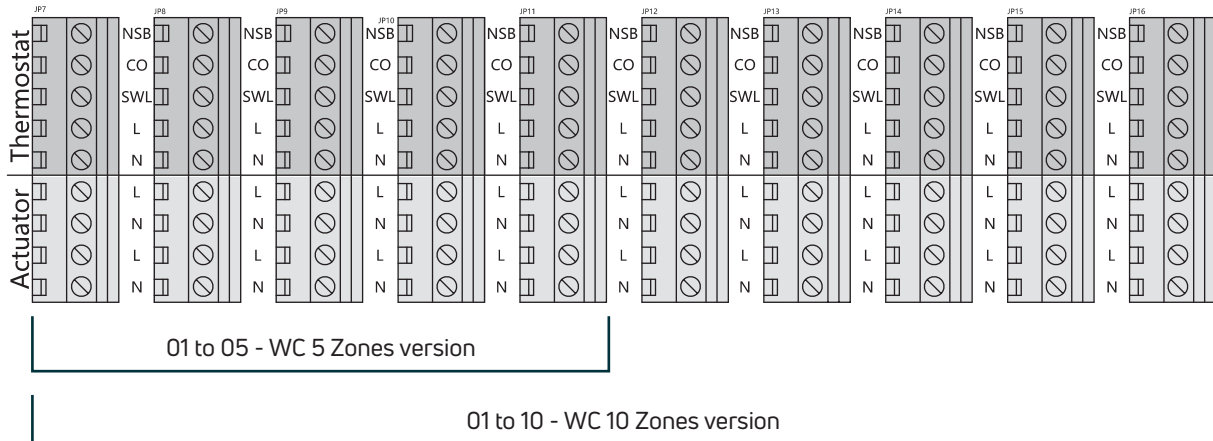
It is possible connect maximum 3 dew point sensor for each wiring centre.

You can connect a safety thermostat if the wiring centre works only in heating, a dew point sensor if the wiring centre works only in cooling, or both if the wiring centre works in heating and in cooling.

If there is an alarm, in heating or in cooling, the wiring centre turns off the pump, the heating/cooling source (boiler/heat pump), all the active zones actuator and the red alarm led blinks. This situation persists as long as there is the alarm. As soon as the alarm clears, the wiring centre returns to work as before.



## 7.8 Thermostat + actuator zone terminals

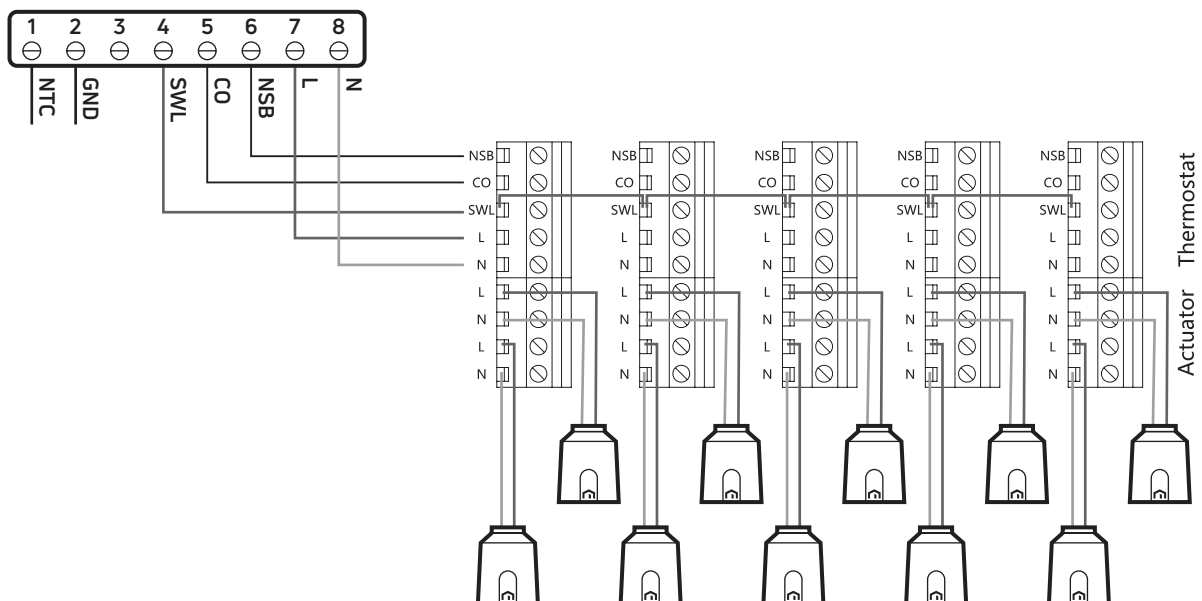


NSB	Night set back input/output (Live 230 Vac)	Night set back input/output (Live 24 Vac)
CO	Change Over Input/Output (Live 230 Vac)	Change Over Input/Output (Live 24 Vac)
Zone (SWL)	Switched output from Thermostat (Live 230 Vac)	Switched output from Thermostat (Live 24 Vac)
L	Live 230 Vac	Live 24 Vac
N	Neutral 230 Vac	Neutral 24 Vac
L	Live 230 Vac actuator 1	Live 24 Vac actuator 1
N	Neutral 230 Vac actuator 1	Neutral 24 Vac actuator 1
L	Live 230 Vac actuator 2	Live 24 Vac actuator 2
N	Neutral 230 Vac actuator 2	Neutral 24 Vac actuator 2


Use the maximum number of thermostat and actuators described in technical specifications paragraph. Connect one actuator for each couple of actuator terminals (L and N). If for a wiring centre there are less thermostats than the maximum number of zones, it is possible use the actuator terminals of the unused zone. To do this use one bridge (or more bridges) between the SWL terminal of the zone of the thermostat and the SWL terminal of the zone (or more zones) unused.

Below an example of a Wiring Centre 10 zones where is connected one thermostat with 10 actuators:

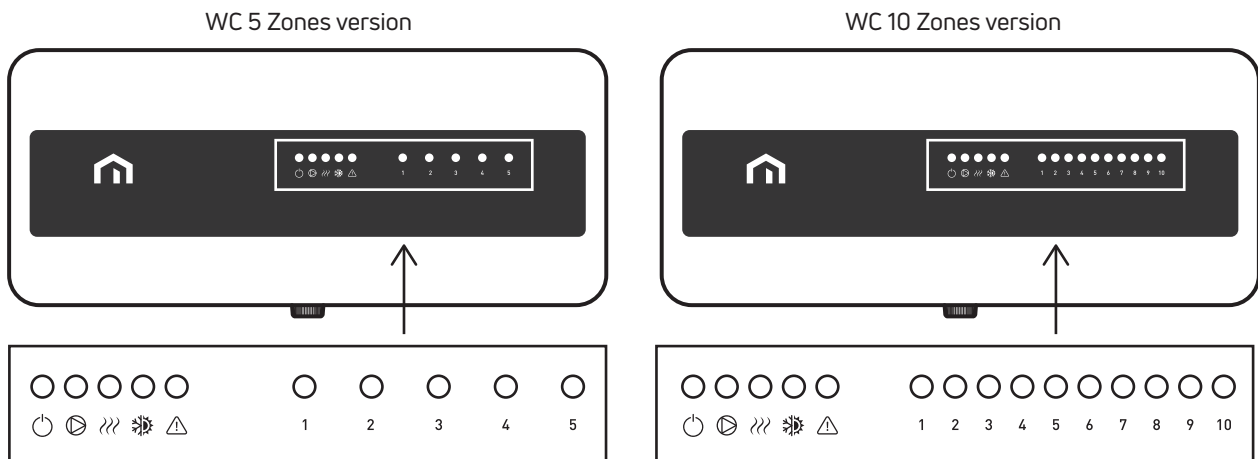
Digital Thermostat or WiFi Thermostat








### 7.9 Dip Switch

	1	2	3		1 Change Over	2 Pump Delay	3 Pump Exercise Function
	H&C	PD	PEF	ON	Signal coming from Zone 1 CO Input	Pump start after 5 min from thermostat request	Pump run at least 5 min every 24 hours
	Zone1	2min	5min	OFF	Signal coming from CO Input	Pump start with thermostat request	Function disabled
	CO(IN)	OFF	OFF				

### 7.10 Lights



-  Green - Wiring center ON
-  Red - Pump output Active
-  Red - Boiler / HP output Active
-  Red - Heating Mode / Blue - Cooling Mode
-  Red flashing - Alarm active

- 1 - Red → Zone 1 active / 2 - Red → Zone 2 active / 3 - Red → Zone 3 active / 4 - Red → Zone 4 active
- 5 - Red → Zone 5 active / 6 - Red → Zone 6 active / 7 - Red → Zone 7 active / 8 - Red → Zone 8 active
- 9 - Red → Zone 9 active / 10 - Red → Zone 10 active

\* the blue led blinks if the change over is enabled from the CO input (Dip Switch 1 in OFF) and you try to change from cooling to heating from this input but it is no possible because it changed from heating to cooling from a thermostat that became the master. Restore the digital input in heating mode so that the blue LED is fixed.  
You can change from cooling to heating only from the same thermostat (master). See the change over paragraph.

## 8 USER'S GUIDE

### 8.1 Functions

#### 8.1.1 NSB (Night Setback)

If you want to use the NSB function of the thermostats, connect the NSB terminal of each thermostat to the corresponding NSB wiring centre terminal.

Set the UNISENZA digital thermostat in program mode and the UNISENZA dial thermostat jumper (P5) in off (only if the system works in heating mode only).

The UNISENZA Wifi digital thermostat manage the NSB function of the UNISENZA digital thermostat and/or UNISENZA dial thermostat:

- the UNISENZA digital thermostat and/or UNISENZA dial thermostat are in comfort mode when the UNISENZA Wifi digital thermostat is in comfort (comfort mode, program mode during comfort period or temporary override), manual mode or boost mode
- the UNISENZA digital thermostat and/or UNISENZA dial thermostat are in eco mode when the UNISENZA Wifi digital thermostat is in eco (eco mode, program mode during eco period)  
If there are more than one UNISENZA Wifi digital thermostat connected to the wiring centre, the eco and comfort mode for the other thermostats is the same then explained above, but:
- the UNISENZA digital thermostat and/or UNISENZA dial thermostat are in eco mode when the first UNISENZA Wifi digital thermostat switches from comfort to eco mode
- the UNISENZA digital thermostat and/or UNISENZA dial thermostat are in comfort mode when the last UNISENZA Wifi digital thermostat switches from eco to comfort mode

If there isn't a UNISENZA Wifi digital thermostat connected to the wiring centre, it is possible use an external timeclock where is possible set the period for comfort and period for eco setpoint (no live enables comfort setpoint, live enables eco setpoint).

#### 8.1.2 Change Over

When every kind of Unisenza thermostats are connected to the wiring centre, only one device can switch the system from heating to cooling and then from cooling to heating.

- If the dipswitch 1 is OFF (see dip switch paragraph) the devices that can switch the system from heating to cooling are: UNISENZA digital thermostat, UNISENZA WiFi thermostat and UNISENZA Wiring Centre via the COin digital input (see the Changeover input terminals paragraph).  
If you try from a thermostat to switch from cooling to heating mode and the thermostat displays NO, it means that it is possible switch in cooling mode only from the device (thermostat or wiring centre) that switched the system from heating to cooling.  
If you try from the digital input of the Wiring Centre to switch from heating to cooling mode and the Wiring Centre LED of heating/cooling is blue blinking, it means that it is possible switch in heating mode only from the device (thermostat) that switched the system from heating to cooling.  
Restore the digital input in heating mode so that the blue LED is fixed.
- If the dipswitch 1 is ON (see dip switch paragraph) the devices that can switch the system from heating to cooling are: UNISENZA digital thermostat and UNISENZA dial thermostat (the CO input digital input of the Wiring Centre is disabled).

#### 8.1.3 Pump delay

When there's a demand it is possible to set 2 minutes delay (Dip switch 2 – ON), before activating the Pump output.

If the Dip switch 2 is OFF there is no delay and the pump starts as soon as there is a demand.

#### 8.1.4 Pump exercise function

During some period in the year the heating or cooling may not be required as often, which means after long periods of the pump not being used, the pump can seize.

To prevent this, it is good practice to operate the pump once a day, the pump exercise function does this. Once enabled (Dip switch 3 – ON) the UNISENZA Wiring Centre will operate the pump for 5 minutes, only if the pump output has not been operated by a thermostat, within the preceding 24 hours.

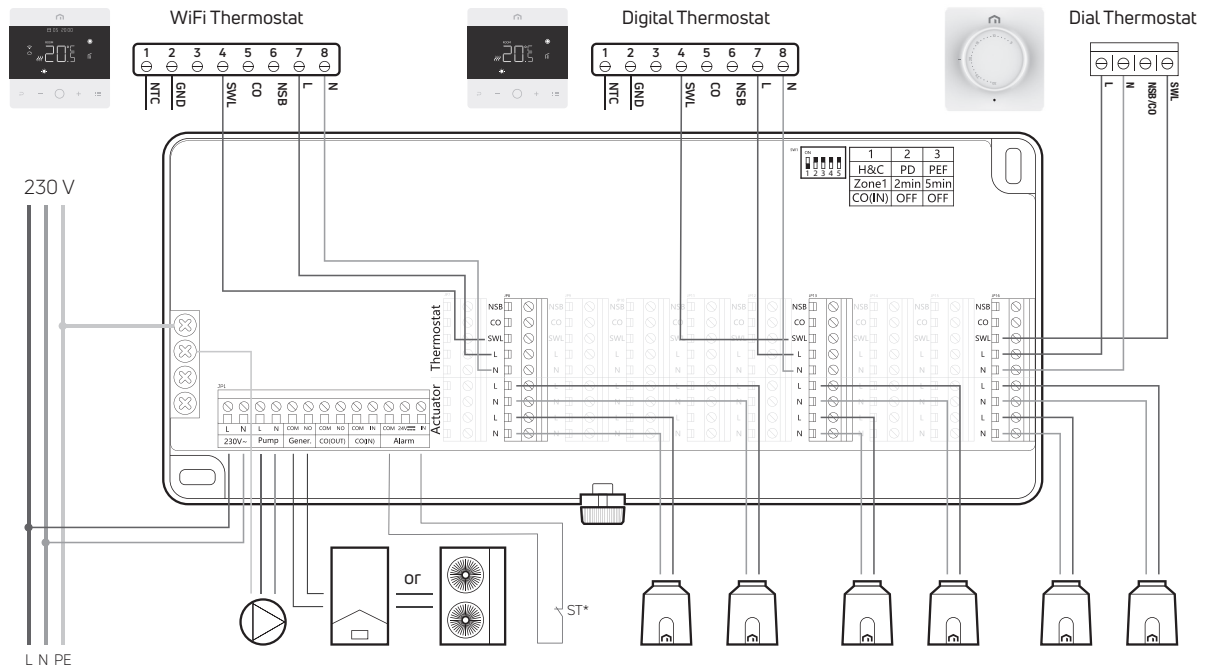


## 8.2 Wiring diagrams

Examples of installation: diagrams according to the system (only heating or heating and cooling), UNISENZA thermostats (dial and/or digital and/or WiFi) and functions (NSB and/or change over<sup>9</sup>)

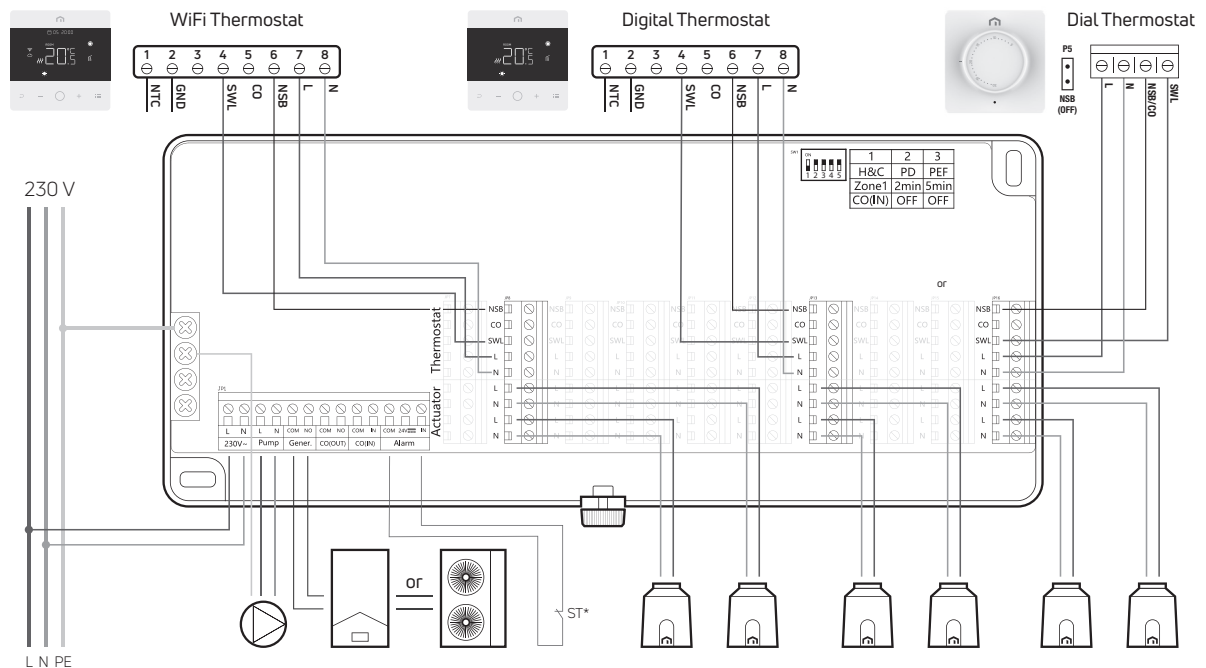
N	Description	Heating	Heating and cooling	NSB function	Change over by thermostats	Change over by thermostats or Wiring Centre COin
1	Heating only	X				
2	Heating only with NSB by WiFi thermostat	X		X		
3	Heating only with NSB by external clock	X		X		
4	Heating only with all WiFi thermostats	X				
5	Heating and cooling with change over by thermostats		X		X	
6	Heating and cooling with NSB by WiFi thermostat and change over by thermostats		X	X	X	
7	Heating and cooling with change over by thermostats or by Wiring Centre COin		X		X	X
8	Heating and cooling with NSB by WiFi thermostat and change over by thermostats or by Wiring Centre COin		X	X	X	X
9	Heating and cooling with all WiFi thermostat and change over by thermostats		X		X	
10	Heating and cooling with all Dial thermostat and change over only by Wiring Centre COin		X			X

### 8.2.1 Diagram 1: Heating only



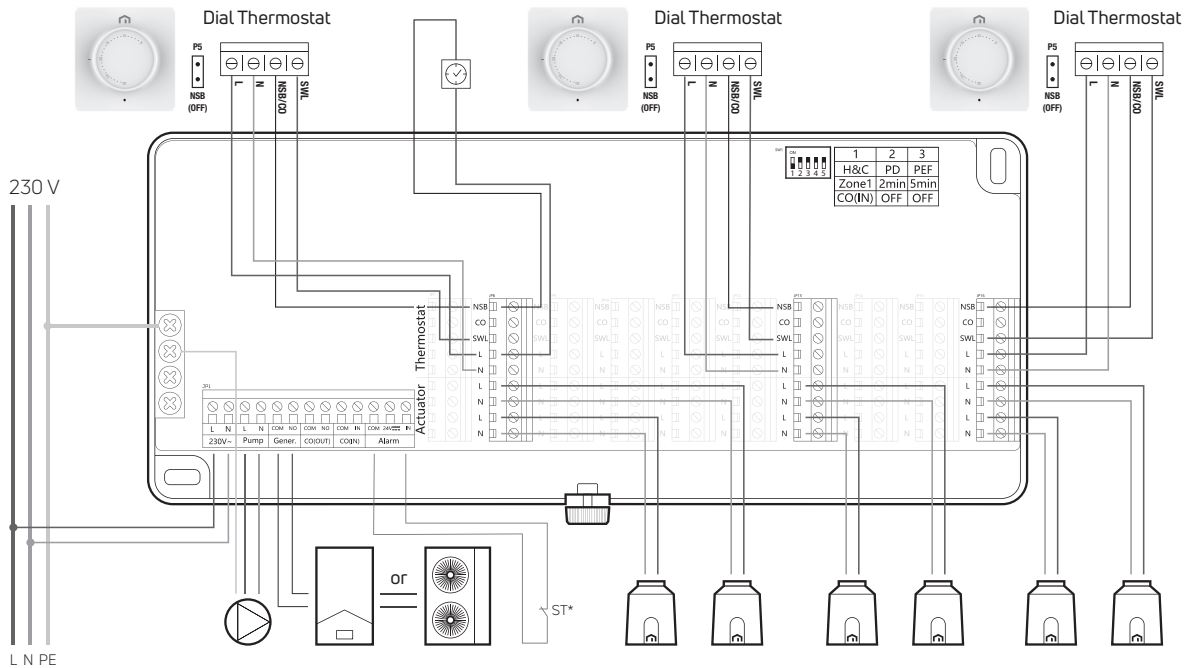
All kind of UNISENZA thermostat connected to the UNISENZA Wiring Centre.  
The system works only in heating without NSB function so you have to connect only L, N and SWL terminals of each thermostat to the corripespective Wiring Centre terminal.

### 8.2.2 Diagram 2: Heating only with NSB by WiFi thermostat



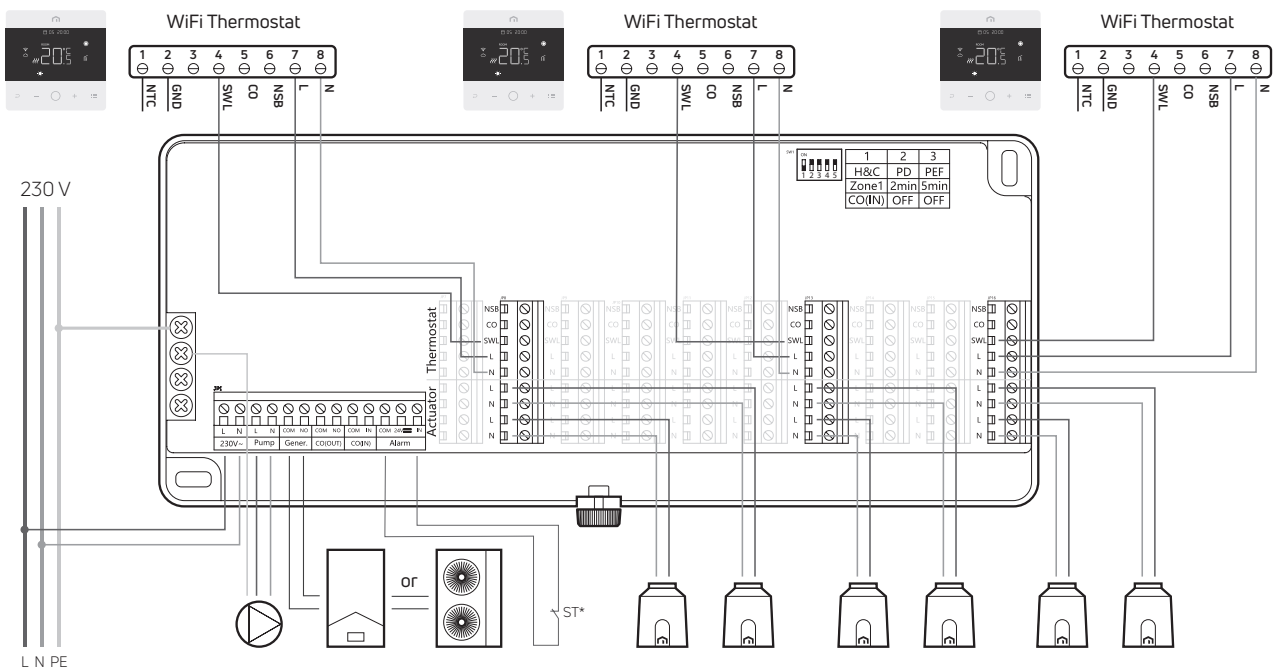
One UNISENZA WiFi thermostat, UNISENZA digital and dial thermostats connected to the UNISENZA Wiring Centre.  
The system works only in heating with NSB function, so you have to connect L, N, NSB and SWL terminals of each thermostat to the corripespective Wiring Centre terminal. Set the UNISENZA WiFi thermostat and digital thermostat in program mode, set the UNISENZA dial thermostat jumper in OFF. In this way when the WiFi thermostat is in comfort mode the other thermostats also will be in comfort mode (the dial thermostat works with temperature setpoint setted by the knob) and when the WiFi thermostat is in eco mode the other thermostats also will be in eco mode (the dial thermostat works with 2° C less than the temperature setpoint setted by the knob).

**8.2.3 Diagram 3: Heating only with NSB by external clock**



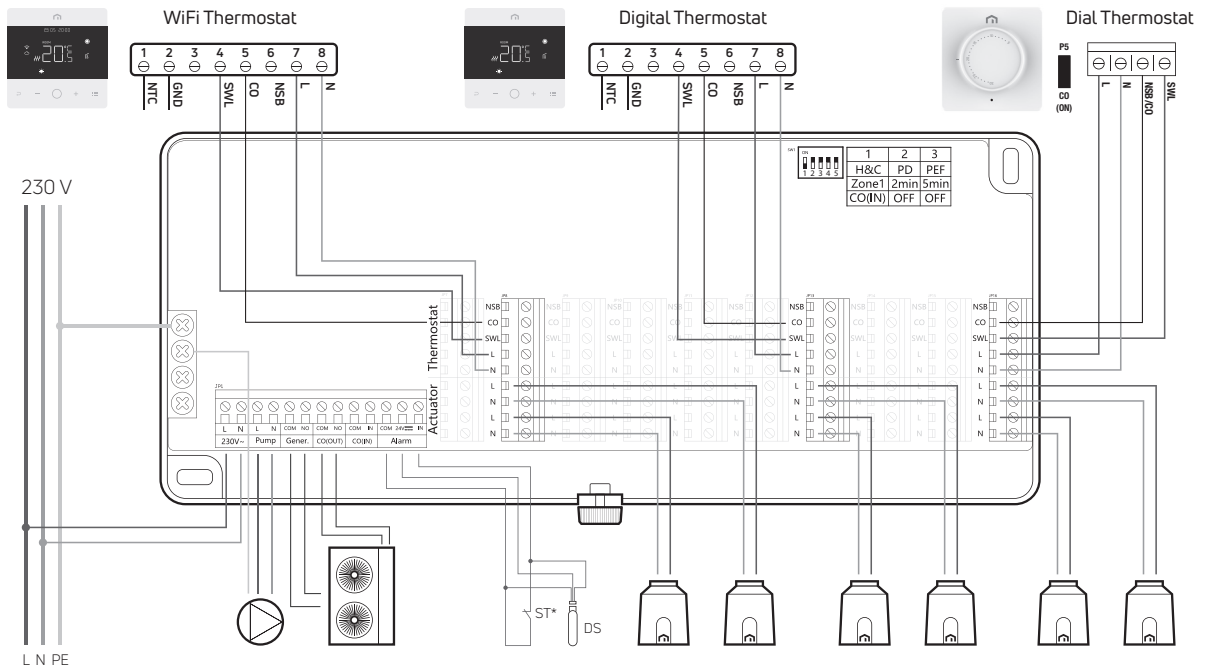
Only UNISENZA dial thermostat connected to the UNISENZA Wiring Centre. The system works only in heating with NSB function with an external clock, so you have to connect L, N, NSB and SWL terminals of each thermostat to the corresponding Wiring Centre terminal. Connect the Live from L terminal of wiring centre thermostat terminal to the com terminal of external clock and the NSB terminal of wiring centre thermostat terminal to the com terminal of external clock. Set the UNISENZA dial thermostat jumper in OFF. In this way when the contact of the external clock is opened (no live on NSB) the dial thermostats work with temperature setpoint set by the knob, when the contact of the external clock is closed (live on NSB) the dial thermostats work with 2° C less than the temperature setpoint set by the knob.

**8.2.4 Diagram 4: Heating only with all WiFi thermostats**



Only UNISENZA WiFi thermostat connected to the UNISENZA Wiring Centre. The system works only in heating without NSB function (each thermostat can be programmed by itself) so you have to connect only L, N and SWL terminals of each thermostat to the corresponding Wiring Centre terminal.

8.2.5 Diagram 5: Heating and cooling with change over by thermostats

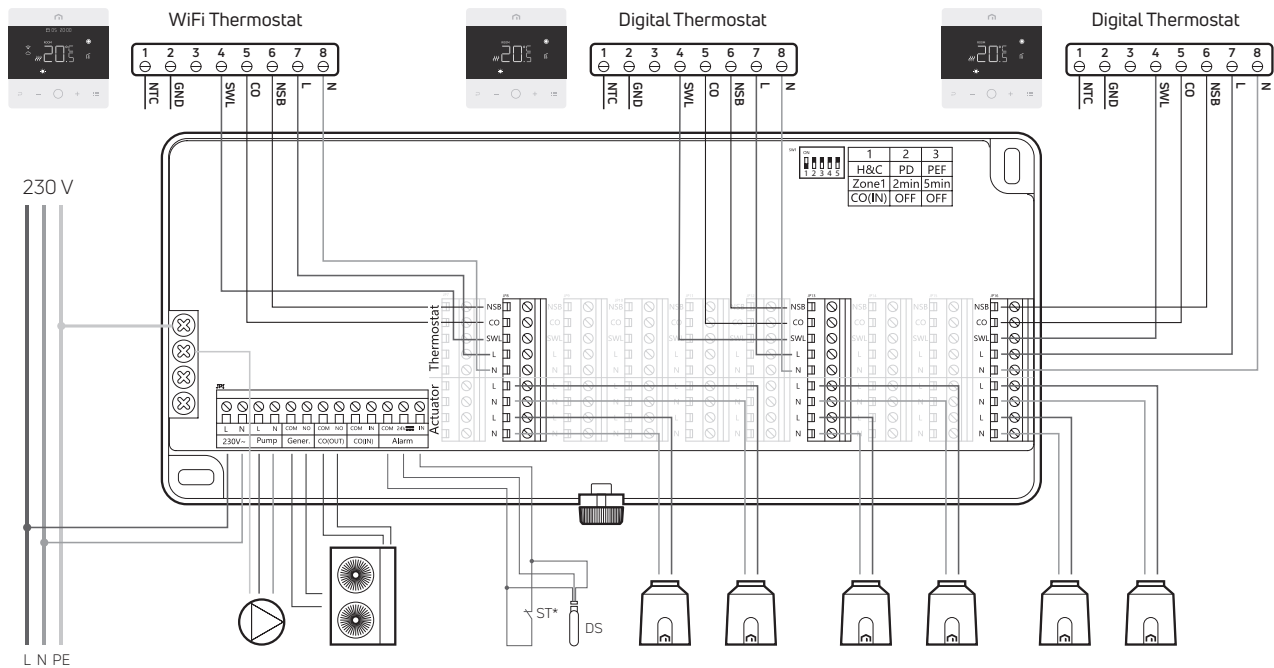


UNISENZA WiFi, digital and dial thermostats connected to the UNISENZA Wiring Centre.

The system works in heating and in cooling, so you have to connect L, N, CO and SWL terminals of each thermostat to the corresponding Wiring Centre terminal. Set the UNISENZA dial thermostat jumper in ON and the dip switch 1 of the wiring centre in ON.

In this way when one thermostat changes from heating to cooling, all the other thermostats and the wiring centre switch in cooling mode. It is possible to change all the system from cooling to heating only from the thermostat that switched in cooling. Connect the dew point sensor to the alarm input of the wiring centre.

### 8.2.6 Diagram 6: Heating and cooling with NSB by WiFi thermostat and change over by thermostats



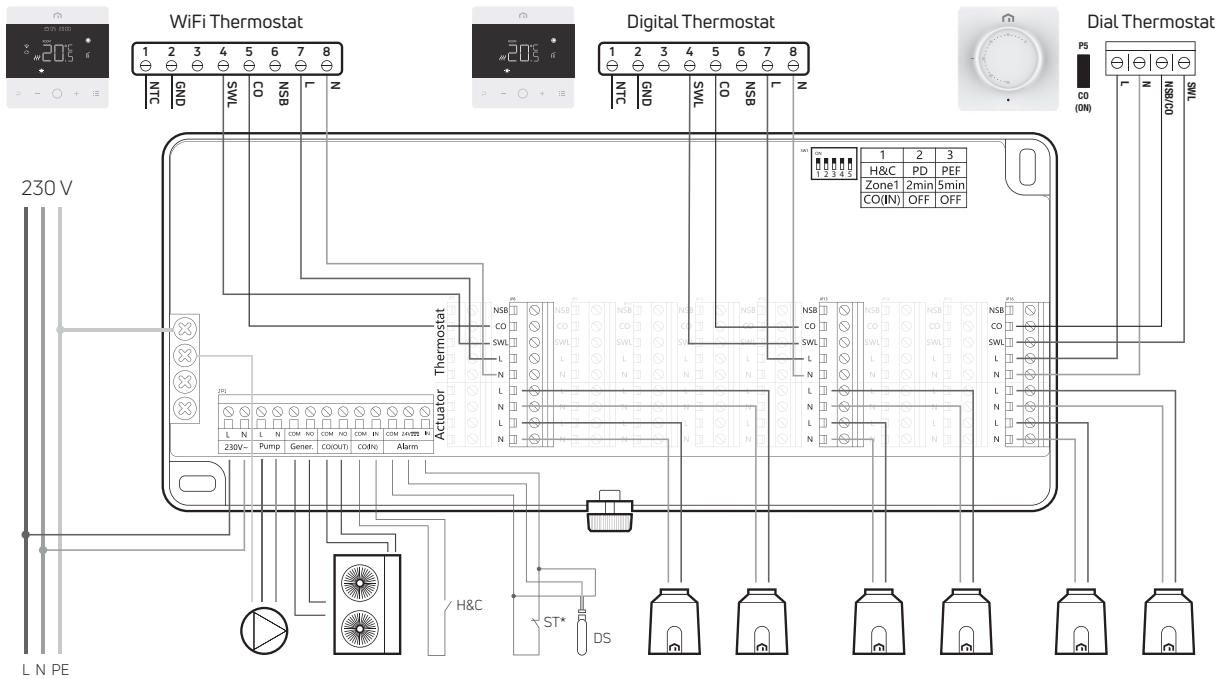
One UNISENZA WiFi thermostat and UNISENZA digital thermostats connected to the UNISENZA Wiring Centre.

The system works in heating and in cooling with NSB function, so you have to connect L, N, NSB, CO and SWL terminals of each thermostat to the corresponding Wiring Centre terminal.

Set the UNISENZA WiFi thermostat and digital thermostat in program mode and the dip switch 1 of the wiring centre in ON. In this way when one thermostat changes from heating to cooling, all the other thermostats and the wiring centre switch in cooling mode. It is possible to change all the system from cooling to heating only from the thermostat that switched in cooling. Furthermore when the WiFi thermostat is in comfort mode the other thermostats also will be in comfort mode and when the WiFi thermostat is in eco mode the other thermostats also will be in eco mode.

Connect the dew point sensor to the alarm input of the wiring centre.

8.2.7 Diagram 7: Heating and cooling with change over by thermostats or by Wiring Centre COin



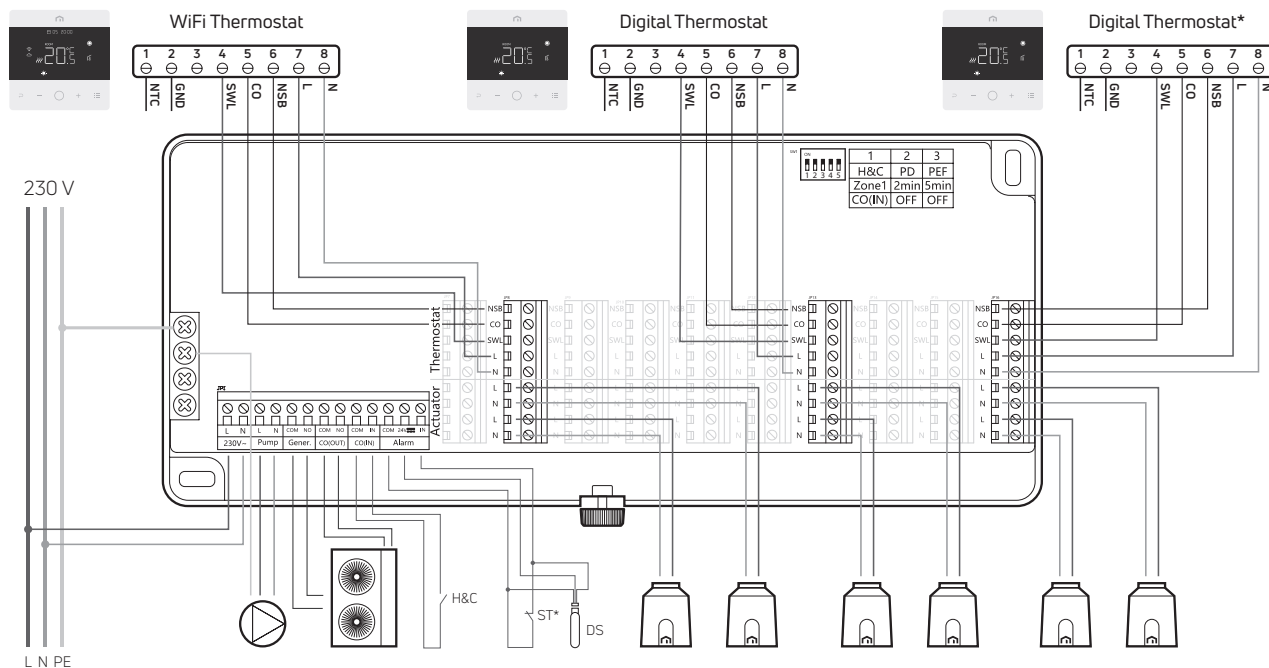
UNISENZA WiFi, digital and dial thermostats connected to the UNISENZA Wiring Centre.

The system works in heating and in cooling, so you have to connect L, N, CO and SWL terminals of each thermostat to the corresponding Wiring Centre terminal. Set the UNISENZA dial thermostat jumper in ON and the dip switch 1 of the wiring centre in OFF. In this way when one thermostat or the wiring centre (from a switch connected to the COin) change from heating to cooling, all the other thermostats and the wiring centre switch in cooling mode.

It is possible to change all the system from cooling to heating only from the device (thermostats or Wiring Centre) that switched in cooling.

Connect the dew point sensor to the alarm input of the wiring centre.

### 8.2.8 Diagram 8: Heating and cooling with NSB by WiFi thermostat and change over by thermostats or by Wiring Centre COin



One UNISENZA WiFi thermostat and UNISENZA digital thermostats connected to the UNISENZA Wiring Centre.

The system works in heating and in cooling with NSB function and one digital thermostat\* that works only in heating.

So you have to connect L, N, NSB, CO and SWL terminals of each thermostat to the corresponding Wiring Centre terminal.

Set the UNISENZA WiFi thermostat and digital thermostat in program mode, the dip switch 1 of the wiring centre in ON and for the thermostat\* which must work only in heating disable the cool function.

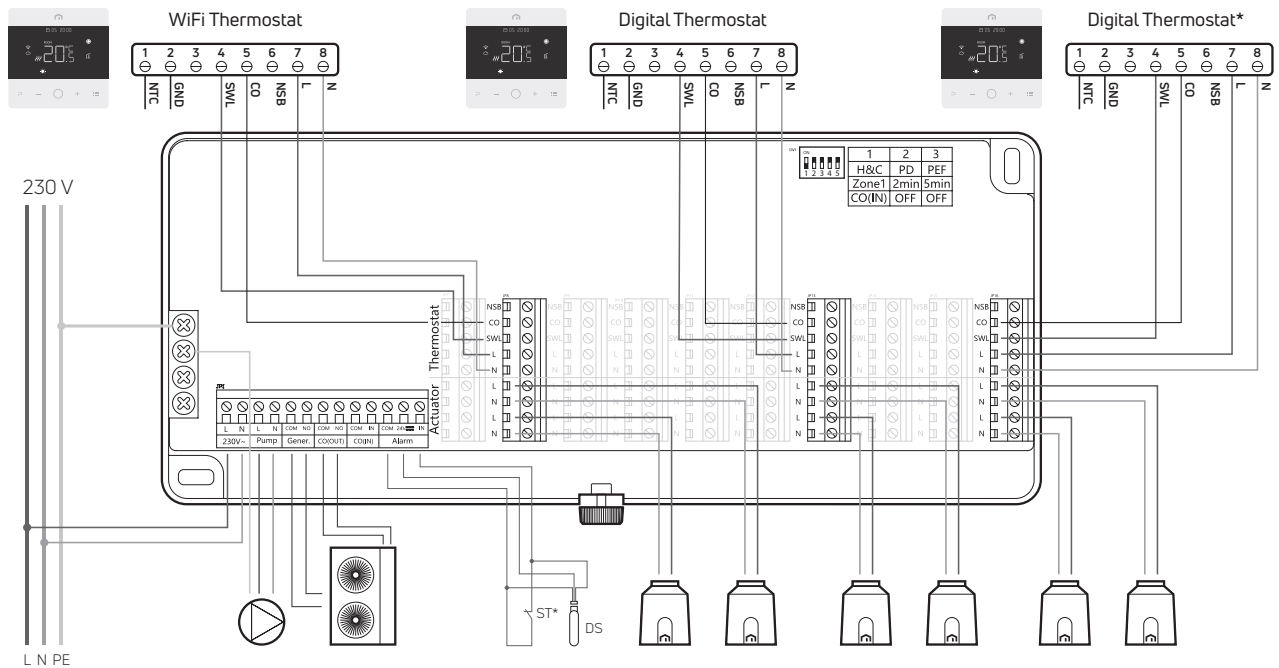
In this way when one thermostat or the wiring centre (from a switch connected to the COin) change from heating to cooling, all the other thermostats and the wiring centre switch in cooling mode, only the thermostat\* which must work in heating displays the blinking sun icon and it doesn't work in cooling.

It is possible to change all the system from cooling to heating only from the device (thermostats or Wiring Centre) that switched in cooling.

Furthermore when the WiFi thermostat is in comfort mode the other thermostats also will be in comfort mode and when the WiFi thermostat is in eco mode the other thermostats also will be in eco mode.

Connect the dew point sensor to the alarm input of the wiring centre.

### 8.2.9 Diagram 9: Heating and cooling with all WiFi thermostat and change over by thermostats



Only UNISENZA WiFi thermostat connected to the UNISENZA Wiring Centre.

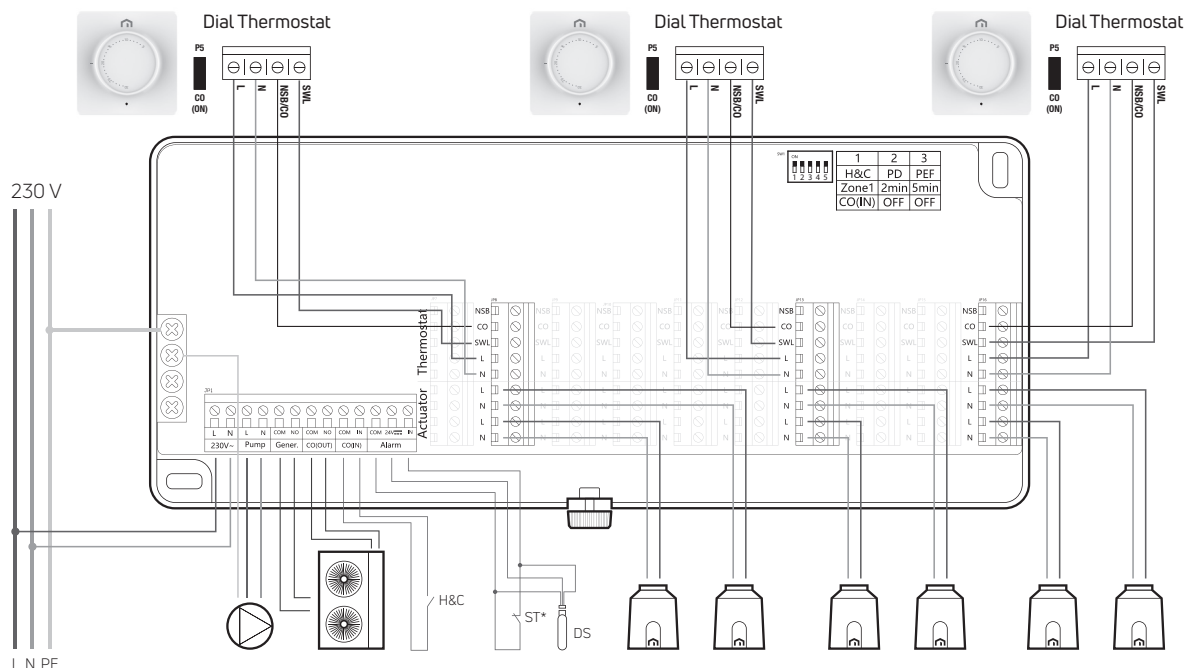
The system works in heating and in cooling without NSB function (each thermostat can be programmed by itself) and one WiFi thermostat\* that works only in heating. So you have to connect L, N, CO and SWL terminals of each thermostat to the corresponding Wiring Centre terminal.

Set the dip switch 1 of the wiring centre in ON and for the WiFi thermostat\* which must work only in heating disable the cool function. In this way when one thermostat changes from heating to cooling, all the other thermostats and the wiring centre switch in cooling mode, only the thermostat\* which must work in heating displays the blinking sun icon and it doesn't work in cooling. It is possible to change all the system from cooling to heating only from the thermostat that switched in cooling.

Connect the dew point sensor to the alarm input of the wiring centre.



**8.2.10 Diagram 10: Heating and cooling with all Dial thermostat and change over only by Wiring Centre COin**



Only UNISENZA dial thermostats connected to the UNISENZA Wiring Centre.  
 The system works in heating and in cooling, so you have to connect L, N, CO and SWL terminals of each thermostat to the corresponding Wiring Centre terminal. Set the UNISENZA dial thermostat jumper in ON and the dip switch 1 of the wiring centre in OFF.  
 In this way when the wiring centre (from a switch connected to the COin) change from heating to cooling, all the dial thermostats and the wiring centre switch in cooling mode.  
 It is possible change all the system from cooling to heating only from the Wiring Centre.  
 Connect the dew point sensor to the alarm input of the wiring centre.

## 9 WEEE DIRECTIVE APPLICATION - DIRECTIVE 2012/19 / EU



The crossed-out wheeled bin symbol indicates that within the European Union all electrical and electronic products at the end of their useful life must be collected separately from other waste.

Do not dispose of this equipment in unsorted municipal waste. Assign the equipment to the appropriate collection centers for electrical and electronic waste or return it to the retailer when purchasing a new equivalent type of equipment.

Appropriate separate collection of equipment to start the subsequent recycling, treatment and environmentally compatible disposal helps to avoid possible negative effects on the environment and health due to the presence of hazardous substances in electrical and electronic equipment and resulting from an incorrect disposal or improper use of the same equipment or parts thereof, the separate collection also favors the recycling of the materials of which the equipment is composed.

The current legislation provides for sanctions in case of illegal disposal of the product.



**A PURMO GROUP BRAND** 

Bulevardi 46  
P.O. Box 115  
FI-00121 Helsinki  
Finland  
[www.purmogroup.com](http://www.purmogroup.com)

Every care has been taken in the creation of this document. No part of this document may be reproduced without the express written consent of Purmo Group. Purmo Group accepts no responsibility for any inaccuracies or consequences arising from the use or misuse of the information contained herein.

