



PETTRV10N

# PETITE

The MYSON PETITE Thermostatic Radiator Valve is a beautifully designed TRV for today's heating systems. The PETITE combines attractive design with total reliability, it also incorporates our 2-way flow technology. The PETITE is available as a single valve or a convenient 'TRV & manual' valve pack (see page 232), in either 10mm or 15mm sizes and finished in a bright nickel. Available in straight and angle versions.

## GENERAL SPECIFICATION



### CERTIFICATION

Produced under a quality management system - ISO 9001:2008 and complies to EN 215.



### GUARANTEE

2 year guarantee from date of purchase against manufacturing defects.



### COLOUR

Finished in nickel.



### CONNECTIONS

Compression or pushfit.



### OPERATING PRESSURES

Tested to a maximum pressure of 10 bar (compression), 3 bar (pushfit).



### OPERATING TEMPERATURE

Maximum 120°C (compression), 92°C (pushfit).



### DELIVERY

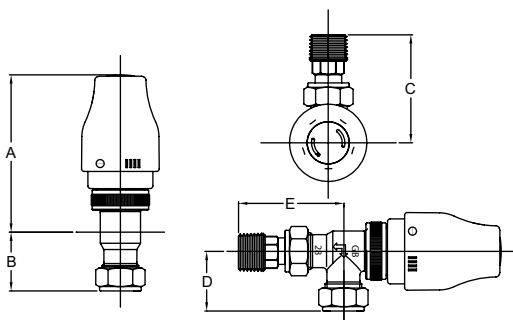
2 - 5 working days.

For more general information, please see page 250.

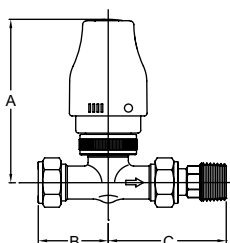
**DIMENSIONS**

**PETITE**

10/15mm Angle



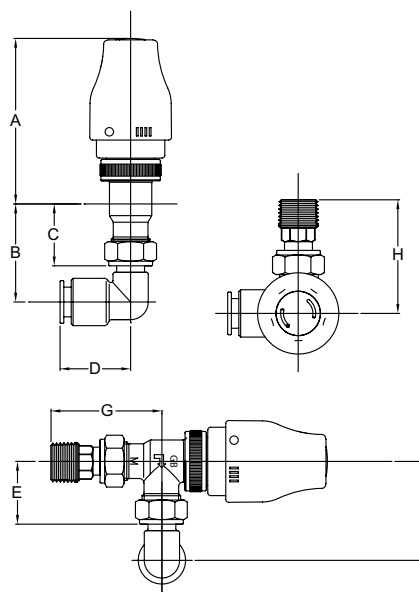
15mm Straight



Model	A	B	C	D	E
	(mm)	(mm)	(mm)	(mm)	(mm)
10mm Angle	89.0	33.0	61.0	34.0	60.0
15mm Angle	89.0	33.0	61.0	34.0	60.0
15mm Straight	93.0	40.0	67.0	-	-

**PETITE Pushfit PPV**

10/15mm Angle



Model	A	B	C	D
	(mm)	(mm)	(mm)	(mm)
10mm Angle	89.0	33.0	61.0	30.0
15mm Angle	89.0	39.0	61.0	36.0

Model	E	F	G	H
	(mm)	(mm)	(mm)	(mm)
10mm Angle	34.0	50.0	60.0	61.0
15mm Angle	34.0	56.0	60.0	61.0

NB: All measurements are nominal.



**PETITE**

Description	Metal Finish	Order Code	Minimum Order Qty
10mm PETITE TRV Angle	Nickel	PETTRV10N	10
15mm PETITE TRV Angle	Nickel	PETTRV15N	10
15mm PETITE TRV Straight	Nickel	PETTRV15NS	10

**PETITE PUSHFIT PPV**

10mm PETITE (90°) Angle	Nickel	PETTRV10NPF90	10
15mm PETITE (90°) Angle	Nickel	PETTRV15NPF90	10