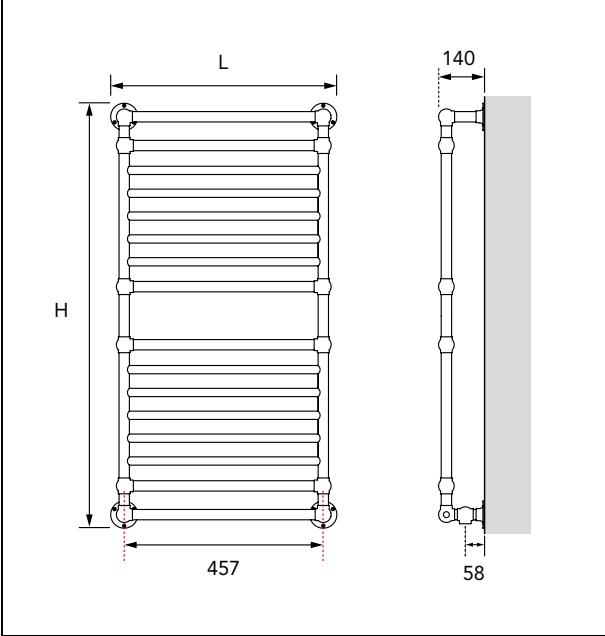




# ULLSWATER

ULLSWATER adds a touch of traditional style for any bathroom. It has a timeless quality which exudes rustic charm and its simple, rectangular framed design can be enhanced with traditional look valves for a truly authentic feel. It is manufactured from quality brass and has a highly polished chrome plated finish.

## DIMENSIONS



## WEIGHT & n-COEFFICIENT

Model	Weight (kg)	n-Coefficient
B36/1	14.40	1.218

## GENERAL SPECIFICATION

- CERTIFICATION**  
Manufactured and tested to BS EN 442. Carries the BS Kitemark. Produced under an environmental management system - ISO 14001:2004.
- CONNECTIONS**  
2 x 1/2" BSP as standard.
- GUARANTEE**  
10 year guarantee from date of purchase against manufacturing defects.
- AIR VENTS**  
Integrated.
- COLOUR**  
Finished in chrome.
- OPERATING PRESSURES**  
Tested to a pressure of 6.9 bar. Working pressure of up to 5.3 bar.
- MATERIAL**  
Manufactured from brass.
- DUAL FUEL**  
PTC300 dual fuel heater kit available. Please see page 124.
- SYSTEM (INDIRECT)**  
2 pipe pumped indirect domestic and commercial heating applications.
- APM® TECHNOLOGY**  
PTC heater kit comes with APM® technology. Please see page 251.
- DELIVERY**  
2 - 5 working days.
- SYSTEM (DIRECT)**  
Suitable for direct systems. Please refer to page 251 for information on dezincification.
- VALVES**  
Please see page 124.

For more general information, please see page 250.

Order Code	Nominal Height (H) (mm)	Nominal Length (L) (mm)	Heat Outputs @ ΔT 50°C		Heat Outputs @ ΔT 30°C		Dual Fuel Rating
			Watts	Btu/h	Watts	Btu/h	
B36/1	1302	540	350	1194	188	641	300