

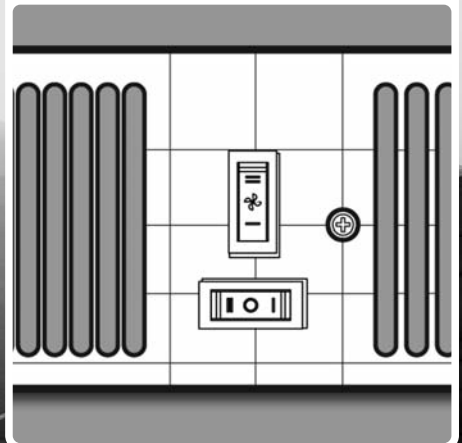
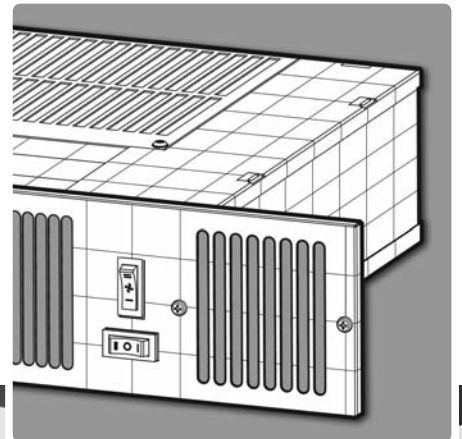
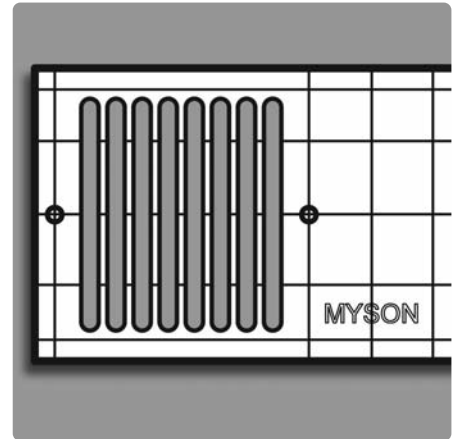
KICKSPACE® 500, 600, 600-12V & 800.  
**INSTALLATION, OPERATING, MAINTENANCE  
 AND AFTER SALES MANUAL.**

Product Serial Number:

--	--	--	--	--	--	--	--

Please leave this manual with the end user.

Part Number: 1370054



## Contents

1.0 Safety Information	02	8.0 Water Connection	06
2.0 General Information	03	9.0 Electrical Connection	07
3.0 Heating System Design	03	10.0 Technical Data	08
4.0 Selection and Sizing for Heating	03	11.0 Operating Instructions	09
5.0 Location	04	12.0 Troubleshooting	10
6.0 Preparation	04	13.0 Maintenance	11
7.0 Fitting the KICKSPACE®	05		

### 1.0 Safety Information

The KICKSPACE® 500, 600 & 800 MUST NOT be installed in a bathroom or other similar high humidity area.

**WARNING: KICKSPACE® 500, 600 and 800 models must be earthed.**

For MYSON KICKSPACE® 500, 600 & 800, a fused (3A) electrical spur with a switch having 3mm separation on all poles must be provided in an easily accessible position adjacent to the unit.

For the KICKSPACE® 600-12V, a fused electrical spur having 3mm separation on all poles must be provided in an easily accessible position adjacent to the transformer. Both the fused spur and the transformer must not be positioned in a bathroom or other similar high humidity area.

If the supply cord to the KICKSPACE® models 500, 600 or 800 is damaged, it must be replaced by the manufacturer, its service agent or similar qualified persons in order to avoid a hazard.

If the supply cord or outlet cord to the KICKSPACE® 600-12V transformer is damaged, the transformer must be replaced by the manufacturer, its service agent or similar qualified persons in order to avoid a hazard.

This appliance can be used by children aged from 8 years and above and persons with reduced physical or mental capabilities or lack of experience and knowledge if they have been given supervision or instruction concerning the use of the appliance in a safe way and understand the hazards involved.

Children shall not play with the appliance. Cleaning and user maintenance shall not be made by children unless they are older than 8 years and supervised.

## 1.0 Safety Information (continued...)

Keep the appliance and its cord out of reach of children aged less than 8 years.

Children of less than 3 years should be kept away from the unit unless continuously supervised.

Children aged from 3 years and less than 8 years shall only switch on / off the appliance provided that it has

been placed or installed in its normal operating position and they have been given supervision or instruction concerning use of the appliance in a safe way and understand the hazards involved. Children aged from 3 years and less than 8 years shall not plug in, clean the appliance or perform user maintenance.

## 2.0 General Information

- This MYSON KICKSPACE® fan convector is designed for installation in the cavity beneath kitchen cupboards on the vacant floor space, or other similar locations.
- No rear access shall be available to the unit after installation.
- The KICKSPACE® should only be used on closed circulation, two pipe, pump assisted central heating systems.
- Before proceeding with the installation, the heating system design must be considered and the unit correctly sized to meet the heat loss requirements of the room.
- Flexible hoses with integral isolating valves are supplied to allow easy installation and future access for maintenance.
- KICKSPACE® is supplied with integral controls including fan speed selector and summer/winter switch.
- In heating mode a low limit thermostat prevents the fan from operating if the heating system water temperature is below 32°C.
- In summer mode the fan can be operated to circulate a flow of air without any heat supply.
- The KICKSPACE® 600-12V is supplied with a separate 12V transformer that enables the unit to be fitted in a bathroom. Both the unit and the transformer must be positioned in accordance with local and national regulations.

## 3.0 Heating System Design

This fan convector must be fitted on a two pipe, pumped circulation heating system.

For optimum fan convector heating performance the system must be capable of providing sufficient hot water through the heat exchanger. This means that:

1. The minimum pipe size from boiler to fan convector must be at least 15mm. Microbore pipe **MUST NOT** be used.
2. Where the unit is fitted on to a system with other emitters a separate circuit for the fan convector should be considered to provide adequate water flow.

3. The system water must be above 32°C for fan to switch on. Performance will depend on the water temperature at the coil and the flow through the coil.
4. **This unit is NOT suitable for one-pipe systems.**
5. Optimum performance will require effective balancing of the whole system.
6. This unit must not be used to replace a radiator in an existing system unless an adequate flow of water can be guaranteed.

## 4.0 Selection and Sizing for Heating

- Heat output performance is given in the Technical Data section of this manual.
- Since KICKSPACE® units are supplied with fan speed control it is important to size the unit to match the calculated heat loss requirements of the room with the unit operating at the low fan speed.
- The higher fan speed can then be used for more rapid heating from cold in extreme conditions.

1.0

2.0

3.0

4.0

## 5.0 Location

- This KICKSPACE® unit is designed for installation in the cavity beneath cupboards in kitchens or other similar locations on the vacant floor space.
- When installed in a kitchen consideration should be given to storage of perishable goods in the cupboard above.
- A minimum of 25mm clear headroom is required above the top of the KICKSPACE® when fitted.
- The unit should be mounted on a clean and level floor area under the cupboard base.

## 6.0 Preparation

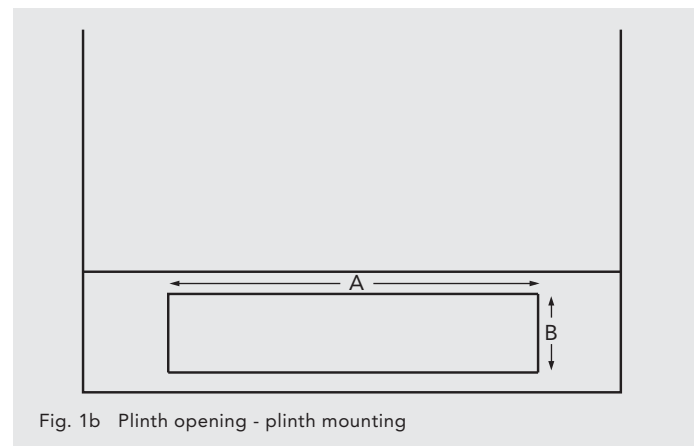
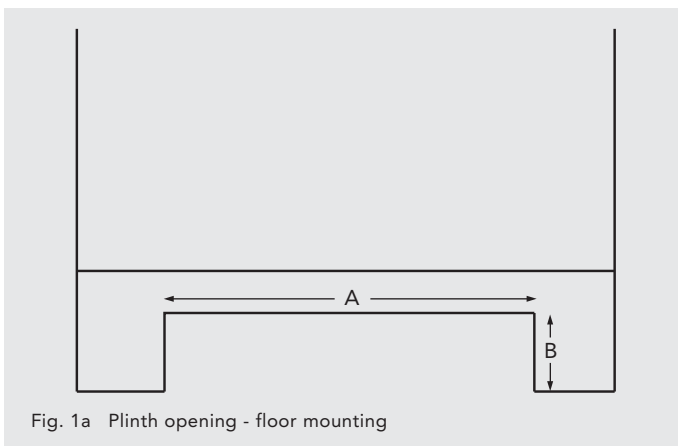
Before proceeding with the installation, unpack the carton contents and check against the checklist below:

1. KICKSPACE® unit.
  2. Flexible hoses including isolating valves (1 pair).
  3. Instruction manual.
  4. Warranty card.
  5. Grille.
  6. Screw fixing kit (with grille).
  7. Transformer (12V model only).
  8. Connector (12V model only).
- A clean and level floor area is required under the cupboard base.
  - Floor mounting (see Fig. 1a) - The KICKSPACE® is normally fitted directly onto the floor and the base of the unit is fitted with four mounting feet.
  - Plinth mounting (see Fig. 1b) -
    - As an alternative to floor mounting the unit may be fitted into the plinth.
    - A suitable support must be securely fitted to the floor.
    - The top of the support must be level with the lower edge of the cut-out when fitted.
  - Decide the position of the KICKSPACE®, mark out and cut the plinth to the dimensions of Fig. 1a (floor mounting) or 1b (plinth mounting).

Model	Dimensions (mm)	
	A	B
500	466	93
600 & 600-12V	520	93
800	573	93

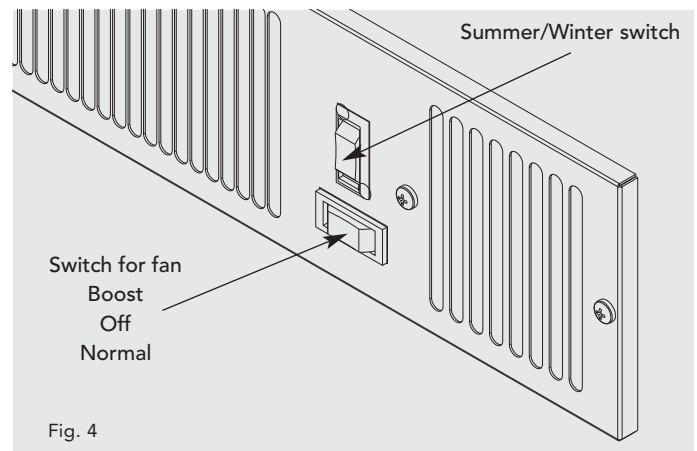
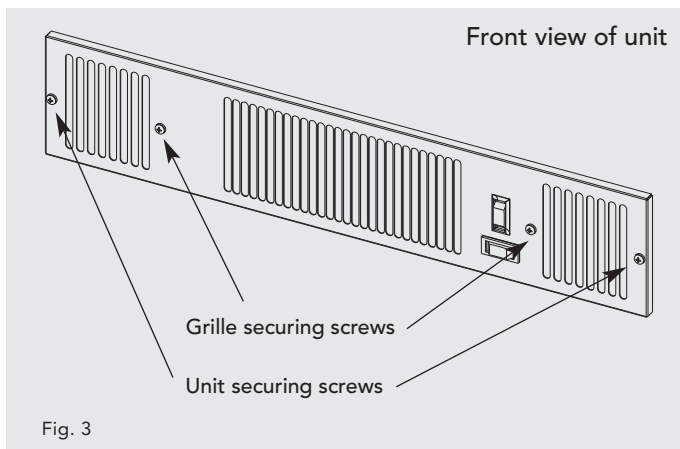
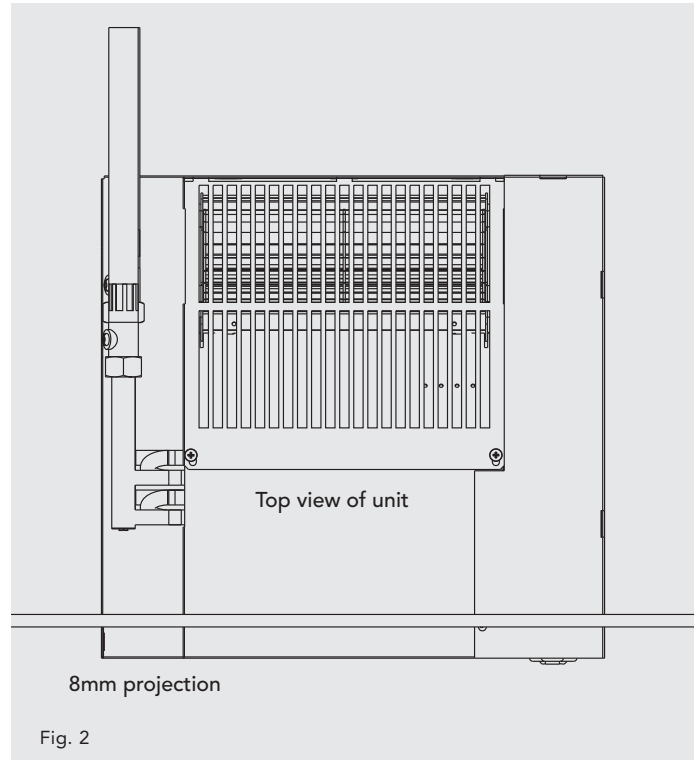
A = Width of cutout  
B = Height of cutout

Note: unit dimensions given in Technical Data section 10.



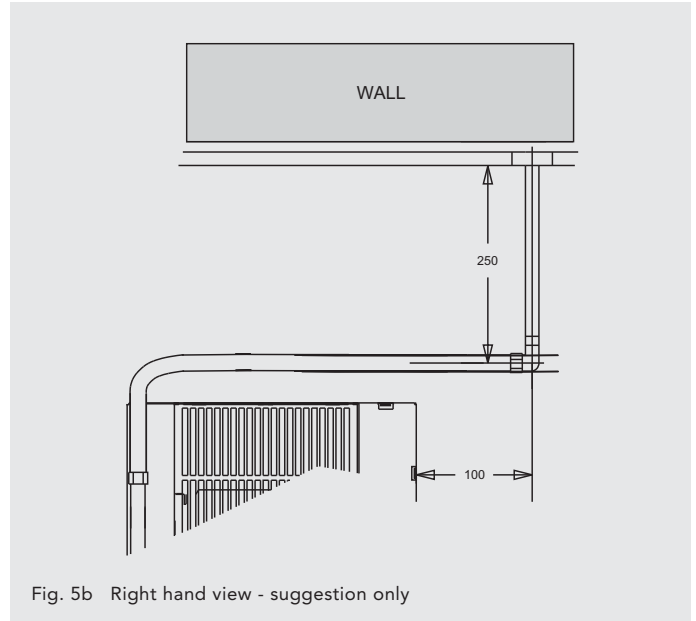
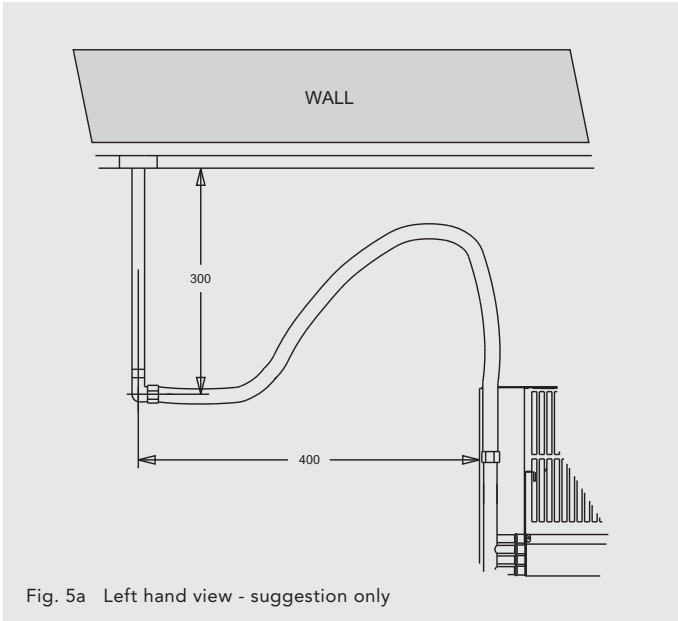
## 7.0 Fitting the KICKSPACE®

- Position the KICKSPACE® under the cupboard in the required location, with the front edge just behind the line of the plinth.
- Ensure that the flexible hoses are not kinked and that the electrical cord is not in contact with hot surfaces.
- Replace the plinth and bring the KICKSPACE® forward into the opening so the front edge projects 8mm through the plinth (see Fig. 2).
- Align the grille and secure it to the unit with two screws supplied (use the shorter screws). (See Fig. 3).
- Secure the unit/grille to the plinth with two screws supplied (use the longer screws). (See Fig. 3).
- Complete the electrical installation, switch on and test the KICKSPACE® (see Fig. 4).



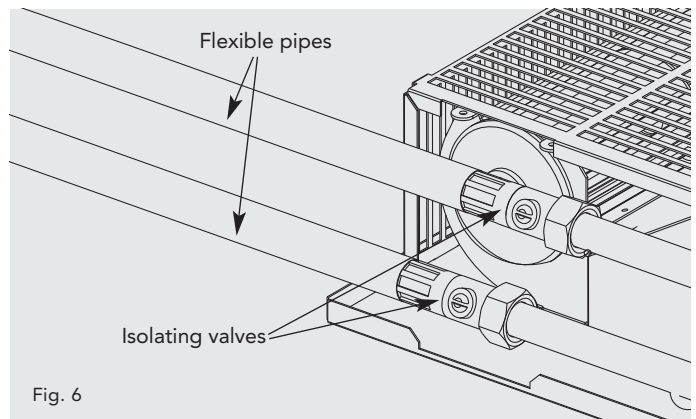
## 8.0 Water Connection

Pipework must be positioned correctly to ensure flexible hoses are not kinked when installed (see Figs. 5a & 5b). Only use the hose sets supplied with this unit. Do not use old or alternative hose sets.

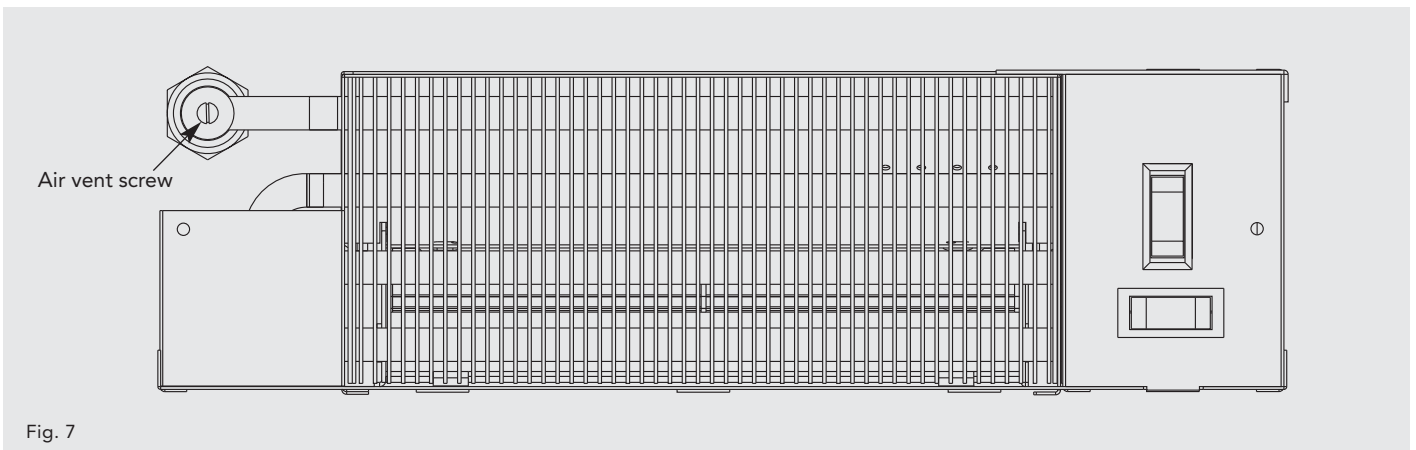


- Connect valve ends of the flexible pipes to the KICKSPACE®.

**Note:** The direction of the arrows on the valves are not significant in this application (see Fig. 6).



- Open valves fully, check pipe connections for leaks and vent the heat exchanger. A vent screw is provided to vent the heat exchanger (see Fig. 7).



## 9.0 Electrical Connection

**WARNING: KICKSPACE® 500, 600 and 800 models must be earthed.**

- The electrical installation must comply with local or national wiring regulations.
- This unit is supplied fitted with a 2 metre 0.75mm<sup>2</sup> cord.
- For KICKSPACE® 500, 600 and 800, a fused (3A) electrical spur with a switch having 3mm separation on all poles must be provided in an easily accessible position adjacent to the unit (see Fig. 8).
- For the KICKSPACE® 600-12V, a fused electrical spur having 3mm separation on all poles must be provided in an easily accessible position adjacent to the transformer. Both the fused spur and the transformer must not be positioned in a bathroom or other similar high humidity installation (see Fig. 9).
- Room Thermostat - If a remote room thermostat is required, wire it into the fused spur at this stage (not KICKSPACE® 600 12V).
- Remote Control Switch - A remote control switch is available as an accessory, and if required should be wired at this stage.
- If the supply cord to KICKSPACE® models 500, 600 or 800 is damaged, it must be replaced by the manufacturer, its service agent or similar qualified persons in order to avoid a hazard.
- If the supply or outlet cord to KICKSPACE® 600-12V transformer is damaged, it must be replaced by the manufacturer, its service agent or similar qualified persons in order to avoid a hazard.
- For the KICKSPACE® 600-12V, a connector block is supplied to connect the low voltage supply from the transformer to the supply cord fitted to the unit.

Do not energise the electrical supply until the remaining stages of the installation have been completed.

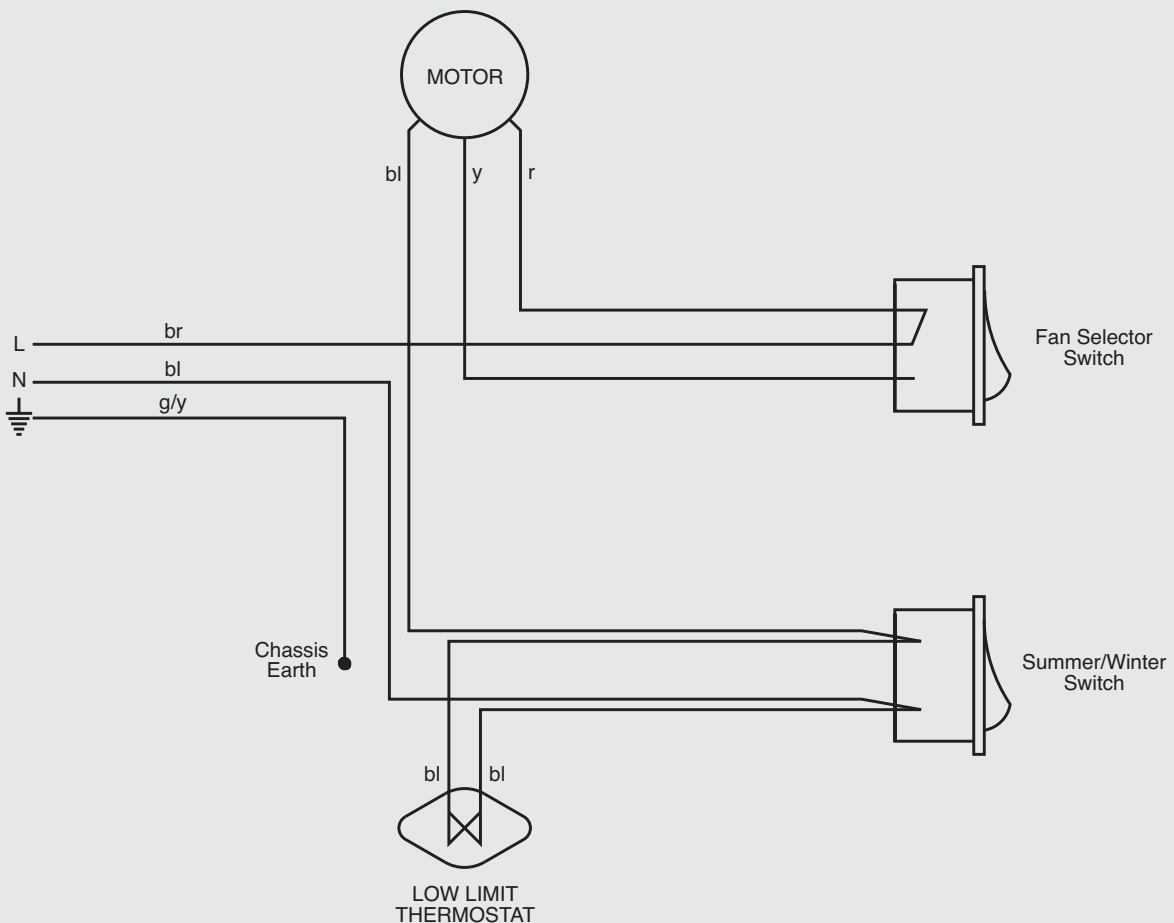


Fig. 8 KICKSPACE® 500, 600 & 800 wiring diagram

9.0 Electrical Connection (continued...)

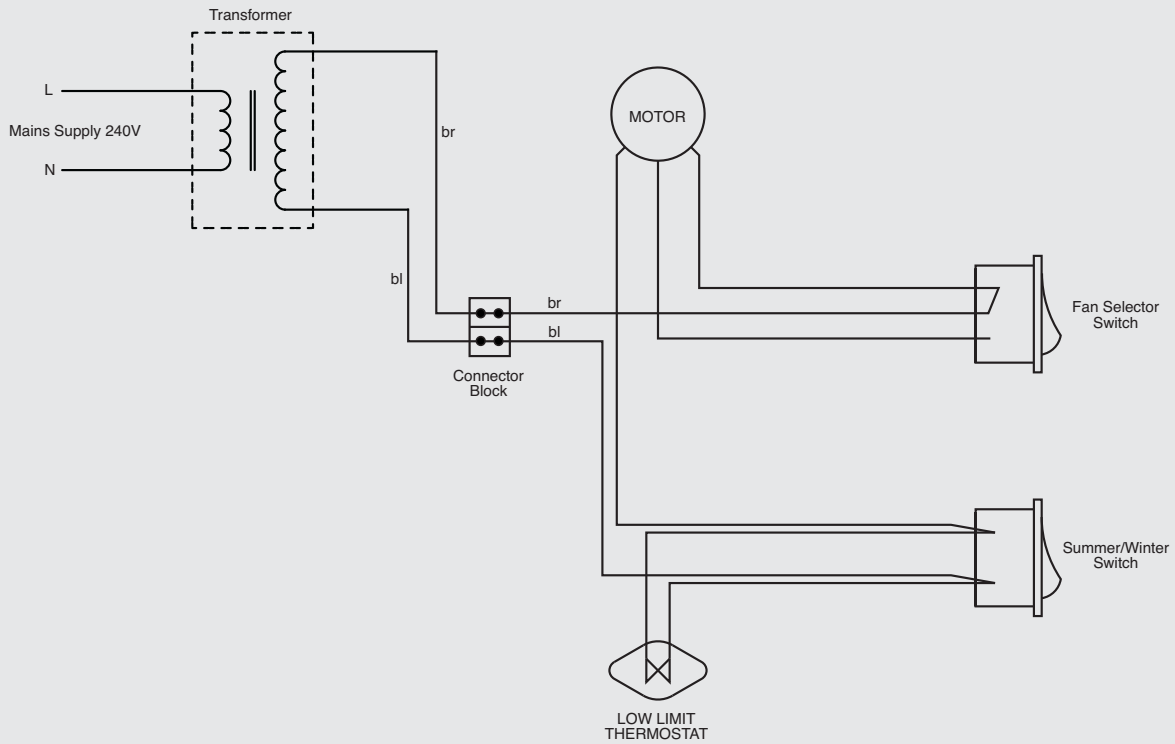
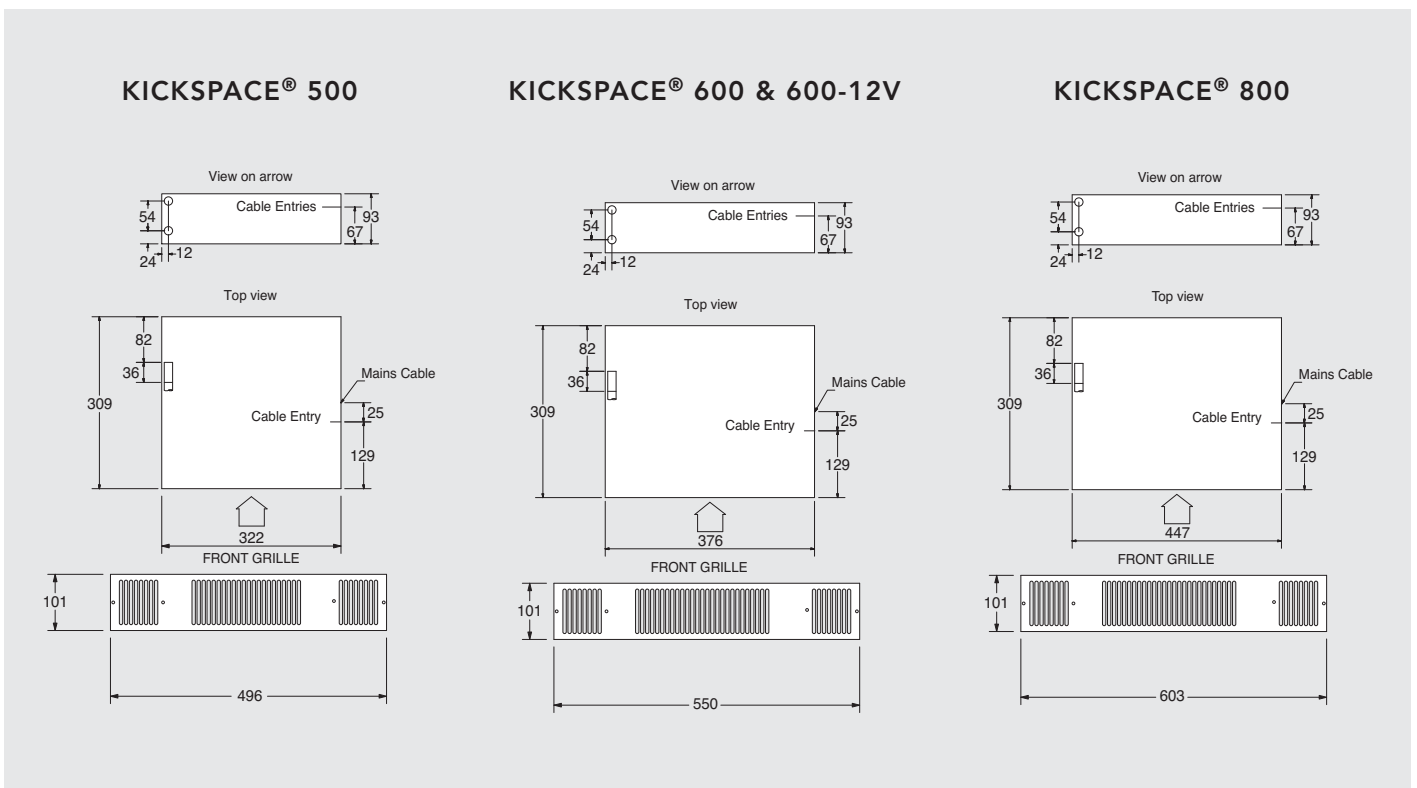


Fig. 9 KICKSPACE® 600-12V wiring diagram

10.0 Technical Data

Dimensions





**10.0 Technical Data (continued...)**

**Heating Performance Data**

Model	Fan Speed	Temperature Difference (°C)									
		Heat Output (Watts)					Heat Output (Btu/h)				
		20°	30°	40°	50°	60°	20°	30°	40°	50°	60°
500	Normal	393	566	733	896	1056	1340	1930	2501	3057	3603
	Boost	447	683	923	1166	1412	1524	2331	3150	3980	4817
600	Normal	467	729	1000	1278	1562	1592	2486	3412	4361	5330
	Boost	607	939	1279	1625	1977	2072	3203	4363	5545	6744
800	Normal	747	1077	1396	1707	2012	2550	3675	4763	5824	6864
	Boost	845	1289	1738	2192	2649	2885	4397	5930	7478	9039
600 - 12V	Normal	467	729	1000	1278	1562	1592	2486	3412	4361	5330
	Boost	607	939	1279	1625	1977	2072	3203	4363	5545	6744

Heat outputs tested in accordance with BS 4856 Part 1.

Flow Rate: 340 ltr/h (75 gal/h).

Flow Rate Correction Factors:

455 ltr/h (100 gal/h) multiply output by 1.03.

227 ltr/h (50 gal/h) multiply output by 0.96.

113 ltr/h (25 gal/h) multiply output by 0.85.

**Approximate Hydraulic Resistance through Fan Convectors**

Litres/h	mm wg				kPa			
	500	600	600-12V	800	500	600	600-12V	800
455	788	1046	1046	911	7.7	10.3	10.3	8.9
340	488	625	625	544	4.8	6.1	6.1	5.3
227	231	326	326	258	2.3	3.2	3.2	2.5
113	82	95	95	82	0.8	0.9	0.9	0.8

**Sound Levels**

Model	Sound Pressures at 2.5m (dBA)	
	Normal	Boost
500	25.7	38.1
600	26.4	37.2
600-12V	26.4	32.7
800	28.5	49.8

Sound levels tested in accordance with EN 23741.

**Weight, Water Content and Motor Power**

Model	Motor Power (W)	Water Content (l)	Unit Weight (kg)
500	25	0.26	4.3
600	40	0.30	5.0
600-12V	40	0.30	7.9*
800	40	0.34	5.5

\*Includes transformer.

**11.0 Operating Instructions**

This unit is controlled by the switches on the front of the unit, or by means of the wall mounted remote switching kit if fitted.

Ensure the electricity supply is switched on.

**Heating Mode**

The fan will only operate when

- The central heating boiler is on
- The pump is running
- The system water temperature is greater than 32°C.

Ensure boiler is on, and set timer, boiler controls and room thermostats as necessary.

- Turn room thermostat to a high setting.
- Set summer - winter switch to ☀️
- Set fan speed control to position I.
- The unit will now run on low fan speed.

Performance will depend on the water temperature at the coil and the flow through the coil.

**Temperature Control**

The room thermostat setting should be gradually adjusted to obtain the desired temperature.

The fan speed can be set to boost by switching the fan speed switch to II.

A low speed setting is recommended for normal operation with the higher speeds for boost heating when required.

**Low Limit Operation**

The low limit thermostat fitted to the KICKSPACE® will ensure that the fan stops after the heating system is switched off and the water flow stops. If left in an operating position the unit will automatically restart when the heating system is reheated.

**Off Position**

Set the fan speed selector switch to the off (O) position.

**Summer Mode**

If required, the KICKSPACE® can be used in Summer for air circulation without heat.

Set summer - winter switch to ☀️

Adjust fan speed to required setting.

If a remote control switch is fitted, the fan switch on the unit will be inoperative. Refer to the instructions supplied with the remote control switch for details.

## 12.0 Troubleshooting

Once installed this fan convector becomes an integral part of a complete heating system that includes boiler, pump, other emitters such as radiators and fan convectors, and a number of heating controls, dependent on system complexity. An apparent problem with this unit may be the result of system controls being incorrectly set and can be solved easily without calling out your

installer or MYSON Service. Before calling your installer or MYSON Service, please carry out the checks listed below.

**Note:** If you call out MYSON Service to a fault detailed below, or to repair a fault caused by incorrect use, a call out charge will be made.

Problem	Possible Causes	Remedy
Central heating Mode - No Fan	Unit switched off	Turn on
	Room thermostat not calling for heat	Turn up room thermostat
	Unit not switched on at fused spur	Switch on at spur
	Fuse blown at fused spur	Replace fuse
	Unit isolating valves shut	Open valves
	Water temperature reaching fan convector below 32°C	Check boiler - Programmer ON  Boiler ON and set to high with central heating pump running  <b>Note:</b> Operation of fan can be checked by switching to summer setting
	Remote control switched off (if fitted)	Switch to heating mode
Central Heating Mode - poor heating performance and/or unit cycles on low limit thermostat	Low water temperature to unit	Turn up boiler thermostat
	Poor water flow	Vent air from heating system

If the fan convector is still faulty after checking the above, call your installer or MYSON Service.

### Common Installation Faults

For optimum performance, this unit must be correctly sized to match the heat loss requirements of the space it is required to

heat, and the heating system must be correctly designed to provide adequate flow of hot water to the unit (see Section 2). If the recommendations in Section 2 are not followed, problems may arise as detailed below.

Problem	Possible Causes
Poor heating performance	Unit incorrectly sized for heat loss of room
Poor heating performance (unit may cycle on low limit thermostat)	Boiler thermostat set too low
	Lack of flow to fan convector
	Pump set on low setting
	Isolating valves not fully open
	System incorrectly balanced with unit starved of hot water flow
	Pipe sizing to unit too small

### 13.0 Maintenance

Before undertaking any maintenance activity isolate the electrical supply.

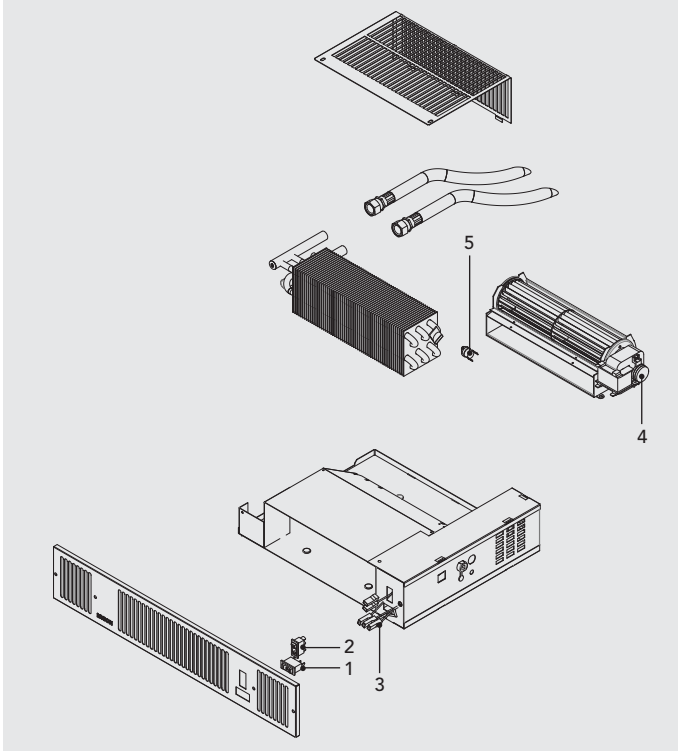
Maintenance should be restricted to occasional removal of dust and lint around the front grille.

This unit should be serviced periodically by a competent person.

This should involve internal cleaning of the heat exchanger using a soft brush or vacuum cleaner, taking care not to damage fan or heat exchanger.

Please see after sales service details on the back cover.

### Spare Parts



Item	Description	Part No.			
		KS 500	KS 600	KS 800	KS 600 12V
1	Switch, 3 Way	1300025			
2	Switch, 2 Way	1300024			
3	Wiring Harness	3000021			3000056
4	Motor/Fan	1200049	1200050	1200060	1200061
5	Low Limit Thermostat	1260007			
Not Shown	Transformer	N/A			1320028
Not Shown	Transformer Connector Block	N/A			1396003



**MYSON**

MYSON Eastern Avenue, Team Valley, Gateshead, Tyne & Wear NE11 0PG, UK  
T: 0845 402 3434, F: 0191 491 7568, sales@myson.co.uk, www.myson.co.uk



**After Sales Service:**

MYSON Service, Somerden Road, Hull, East Yorkshire HU9 5PE  
T: 01482 713927, F: 01482 789056, service.convectors@myson.co.uk

Spare parts and technical help on all Convective products are available from MYSON Service.



**heating**through**innovation.**