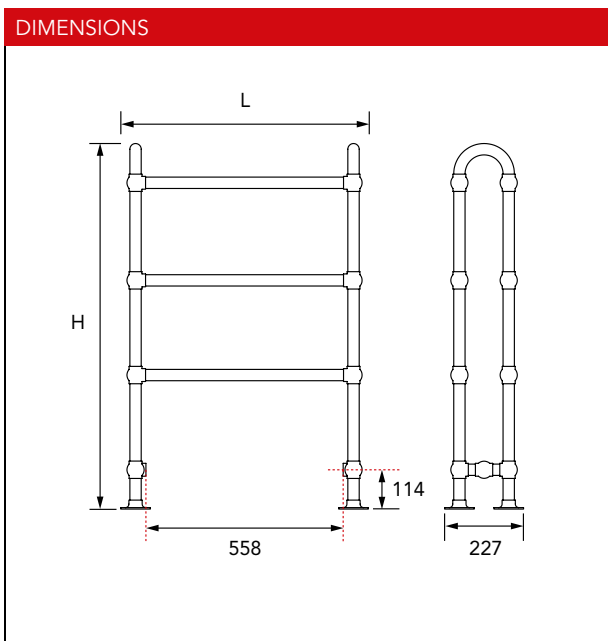




# BUTTERMERE

BUTTERMERE is a classic floor standing design that is guaranteed to add a strong, traditional feel to a bathroom. Its double-sided, curved shape and timeless look is both stylish and practical. It is manufactured from quality brass with a highly polished chrome plated finish which will create a focal point in any bathroom.



**WEIGHT & n-COEFFICIENT**

Model	Weight (kg)	n-Coefficient
B30	15.10	1.190

## GENERAL SPECIFICATION

- CERTIFICATION**  
 Manufactured and tested to BS EN 442. Carries the BS Kitemark. Produced under an environmental management system - ISO 14001:2004.
- GUARANTEE**  
 10 year guarantee from date of purchase against manufacturing defects.
- COLOUR**  
 Finished in chrome.
- MATERIAL**  
 Manufactured from brass.
- ACCESSORIES**  
 Please see page 118.
- SYSTEM (INDIRECT)**  
 2 pipe pumped indirect domestic and commercial heating applications.
- SYSTEM (DIRECT)**  
 Suitable for direct systems. Please refer to page 243 for information on dezincification.
- CONNECTIONS**  
 2 x 1/2" BSP as standard.
- AIR VENTS**  
 Integrated.
- OPERATING PRESSURES**  
 Tested to a pressure of 6.9 bar. Working pressure of up to 5.3 bar.
- DELIVERY**  
 2 - 5 working days.
- VALVES**  
 Please see page 118.

For more general information, please see page 242.

Order Code	Nominal Height (H) (mm)	Nominal Length (L) (mm)	Heat Outputs @ ΔT 50°C		Heat Outputs @ ΔT 30°C	
			Watts	Btu/h	Watts	Btu/h
B30	1026	693	325	1109	177	604