



HEATING
VALVES

MR10WAC

MATCHMASTER

MATCHMASTER is a high quality range of heating valves ideal for when a more robust specification is required. The valve uses a graphite gland packing which can be easily compressed by tightening the gland nut to ensure many years of trouble free operation. There is a wide choice of compression, pushfit and screwed iron connections, as well as drain off options. Straight and angled options are also available.

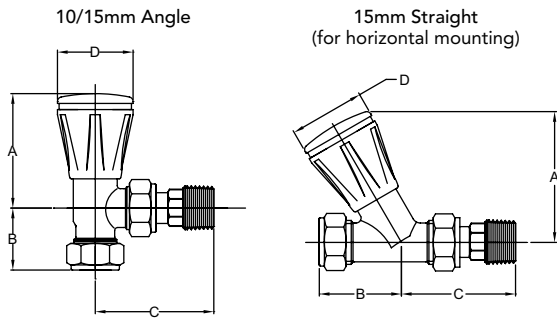
GENERAL SPECIFICATION

-  **CERTIFICATION**
Produced under a quality management system - ISO 9001:2008. Conforms to BS 2767-10.
-  **GUARANTEE**
2 year guarantee from date of purchase against manufacturing defects.
-  **COLOUR**
Finished in chrome or brass.
-  **CONNECTIONS**
Compression, pushfit or screwed iron.
-  **OPERATING PRESSURES**
Tested to a maximum pressure of 10 bar (compression and screwed iron), 3 bar (pushfit).
-  **OPERATING TEMPERATURE**
Maximum 120°C (compression and screwed iron), 92°C (pushfit).
-  **DELIVERY**
2 - 5 working days.

For more general information, please see page 242.

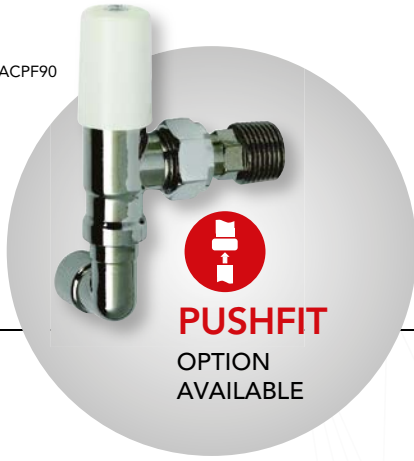
DIMENSIONS

Wheel Head

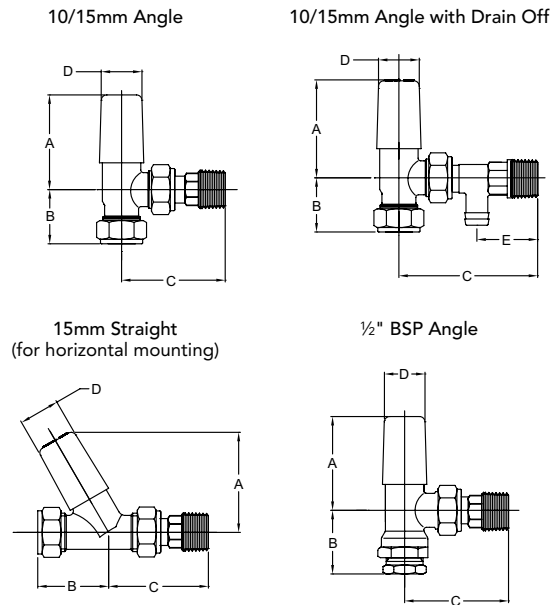


Model	A	B	C	D
	(mm)	(mm)	(mm)	(mm)
10/15mm Angle	55.7	31.0	58.0	37.0
15mm Straight	63.5	40.0	56.5	37.0

MR10LACPF90



Lockshield



Model	A	B	C	D	E
	(mm)	(mm)	(mm)	(mm)	(mm)
10/15mm Angle	53.0	31.0	58.0	23.5	-
10/15mm Angle/Drain	53.0	31.0	76.6	23.5	34.0
15mm Straight	55.5	40.0	56.5	23.5	-
1/2" BSP Angle	53.0	27.0	58.0	23.0	-

NB: All measurements are nominal.

MATCHMASTER

Description	Metal Finish	Wheel Head Order Code	Lockshield Order Code	Minimum Order Qty
10mm Angle	Brass	MR10WAB	MR10LAB	10
10mm Angle with Drain Off	Brass	-	MR10LABD	10
10mm Angle	Chrome	MR10WAC	MR10LAC	10
10mm Angle with Drain Off	Chrome	-	MR10LACD	10
15mm Angle	Brass	MR15WAB	MR15LAB	10
15mm Angle with Drain Off	Brass	-	MR15LABD	10
15mm Angle	Chrome	MR15WAC	MR15LAC	10
15mm Angle with Drain Off	Chrome	-	MR15LACD	10
15mm & 1/2" Angle (for iron and copper pipe)	Chrome	MR15WACIP	MR15LACIP	10
15mm Straight	Chrome	MR15WSC	MR15LSC	10
Drain Off Tail Only	Brass	-	DRAINB	1
Drain Off Tail Only	Chrome	-	DRAINC	1

MATCHMASTER PUSHFIT PPV

10mm Angle	Chrome	MR10WACPF	MR10LACPF	20
10mm Angle with Drain Off	Chrome	-	MR10LACDPF	20
10mm (90°) Angle	Chrome	MR10WACPF90	MR10LACPF90	20
10mm (90°) Angle with Drain Off	Chrome	-	MR10LACDPF90	20
10mm Straight	Chrome	MR10WSCPF	MR10LSCPF	20
10mm (90°) Straight	Chrome	MR10WSCPF90	MR10LSCPF90	20
15mm Angle	Chrome	MR15WACPF	MR15LACPF	20
15mm Angle with Drain Off	Chrome	-	MR15LACDPF	20
15mm (90°) Angle	Chrome	MR15WACPF90	MR15LACPF90	20
15mm (90°) Angle with Drain Off	Chrome	-	MR15LACDPF90	20
15mm (90°) Straight	Chrome	MR15WSCPF90	MR15LSCPF90	20

MATCHMASTER COMPRESSION PPV

10mm (90°) Angle	Chrome	MR10WAC90	MR10LAC90	20
10mm (90°) Angle with Drain Off	Chrome	-	MR10LACD90	20