



PETITE

The MYSON PETITE Thermostatic Radiator Valve is a beautifully designed TRV for today's heating systems. The PETITE combines attractive design with total reliability, it also incorporates our 2-way flow technology. The PETITE is available as a single valve or a convenient 'TRV & manual' valve pack (see page 224), in either 10mm or 15mm sizes and finished in a bright nickel. Available in straight and angle versions.

GENERAL SPECIFICATION



CERTIFICATION

Produced under a quality management system - ISO 9001:2008 and complies to EN 215.



GUARANTEE

2 year guarantee from date of purchase against manufacturing defects.



COLOUR

Finished in nickel.



CONNECTIONS

Compression or pushfit.



OPERATING PRESSURES

Tested to a maximum pressure of 10 bar (compression), 3 bar (pushfit).



OPERATING TEMPERATURE

Maximum 120°C (compression), 92°C (pushfit).



DELIVERY

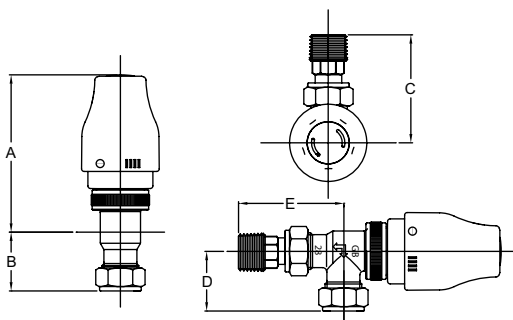
2 - 5 working days.

For more general information, please see page 242.

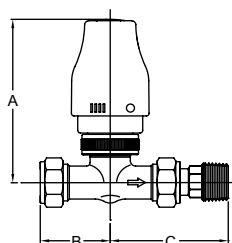
DIMENSIONS

PETITE

10/15mm Angle



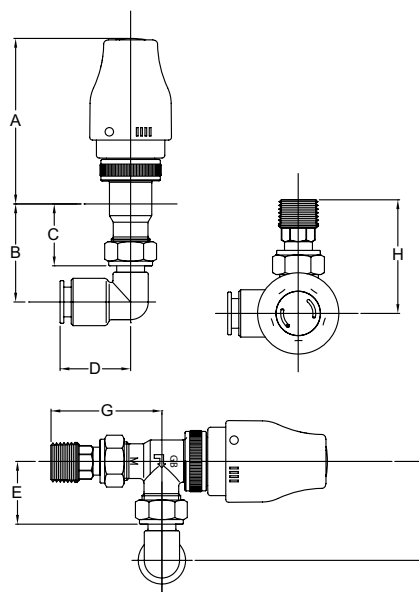
15mm Straight



Model	A	B	C	D	E
	(mm)	(mm)	(mm)	(mm)	(mm)
10mm Angle	89.0	33.0	61.0	34.0	60.0
15mm Angle	89.0	33.0	61.0	34.0	60.0
15mm Straight	93.0	40.0	67.0	-	-

PETITE Pushfit PPV

10/15mm Angle



Model	A	B	C	D
	(mm)	(mm)	(mm)	(mm)
10mm Angle	89.0	33.0	61.0	30.0
15mm Angle	89.0	39.0	61.0	36.0

Model	E	F	G	H
	(mm)	(mm)	(mm)	(mm)
10mm Angle	34.0	50.0	60.0	61.0
15mm Angle	34.0	56.0	60.0	61.0

NB: All measurements are nominal.



PETITE

Description	Metal Finish	Order Code	Minimum Order Qty
10mm PETITE TRV Angle	Nickel	PETTRV10N	10
15mm PETITE TRV Angle	Nickel	PETTRV15N	10
15mm PETITE TRV Straight	Nickel	PETTRV15NS	10

PETITE PUSHFIT PPV

10mm PETITE (90°) Angle	Nickel	PETTRV10NPF90	10
15mm PETITE (90°) Angle	Nickel	PETTRV15NPF90	10