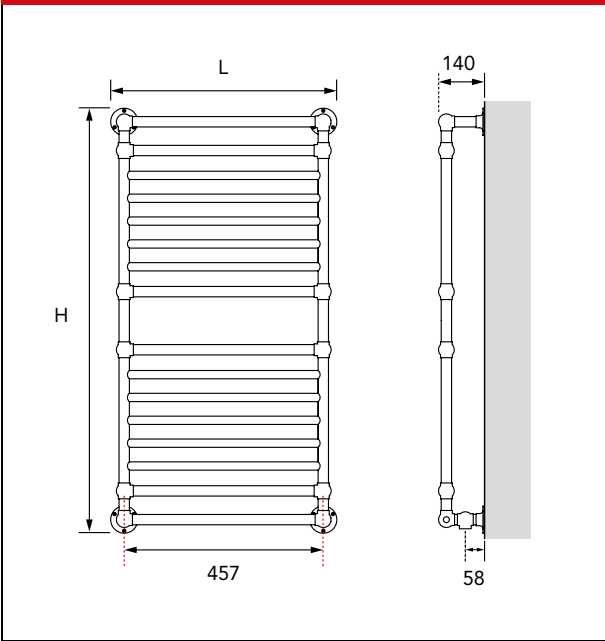




ULLSWATER

ULLSWATER adds a touch of traditional style for any bathroom. It has a timeless quality which exudes rustic charm and its simple, rectangular framed design can be enhanced with traditional look valves for a truly authentic feel. It is manufactured from quality brass and has a highly polished chrome plated finish.

DIMENSIONS



WEIGHT & n-COEFFICIENT

Model	Weight (kg)	n-Coefficient
B36/1	14.40	1.218

GENERAL SPECIFICATION

- CERTIFICATION**
 Manufactured and tested to BS EN 442. Carries the BS Kitemark. Produced under an environmental management system - ISO 14001:2004.
- GUARANTEE**
 10 year guarantee from date of purchase against manufacturing defects.
- COLOUR**
 Finished in chrome.
- MATERIAL**
 Manufactured from brass.
- SYSTEM (INDIRECT)**
 2 pipe pumped indirect domestic and commercial heating applications.
- SYSTEM (DIRECT)**
 Suitable for direct systems. Please refer to page 243 for information on dezincification.
- CONNECTIONS**
 2 x 1/2" BSP as standard.
- AIR VENTS**
 Integrated.
- OPERATING PRESSURES**
 Tested to a pressure of 6.9 bar. Working pressure of up to 5.3 bar.
- DUAL FUEL**
 PTC300 dual fuel heater kit available. Please see page 118.
- APM® TECHNOLOGY**
 PTC heater kit comes with APM® technology. Please see page 243.
- DELIVERY**
 2 - 5 working days.
- VALVES**
 Please see page 118.

For more general information, please see page 242.

Order Code	Nominal Height (H) (mm)	Nominal Length (L) (mm)	Heat Outputs @ ΔT 50°C		Heat Outputs @ ΔT 30°C		Dual Fuel Rating
			Watts	Btu/h	Watts	Btu/h	
B36/1	1302	540	350	1194	188	641	300