

KICKSPACE[®] 500 DUO

INSTALLATION & OPERATING MANUAL

PLEASE LEAVE THIS MANUAL WITH THE END USER

Part Number: 1370070

Contents

1.0	Safety Information	02
2.0	Installation	03
3.0	Water Connection	03
4.0	Electrical Connection	04
5.0	Controls	04
6.0	Troubleshooting	05
7.0	Appendix	05

1.0 Safety Information

The KICKSPACE® 500 DUO MUST NOT be installed in a bathroom or other similar high humidity area.

WARNING: KICKSPACE® 500 DUO models must be earthed.

For MYSON KICKSPACE® 500 DUO, a fused electrical spur with a switch having 3mm separation on all poles must be provided in an easily accessible position adjacent to the unit.

If the supply cord to the KICKSPACE® 500 DUO is damaged, it must be replaced by the manufacturer, its service agent or similar qualified persons in order to avoid a hazard.

This appliance can be used by children aged from 8 years and above and persons with reduced physical or mental capabilities or lack of experience and knowledge if they have been given supervision or instruction concerning the use of the appliance in a safe way and understand the hazards involved.

Children shall not play with the appliance. Cleaning and user maintenance shall not be made by children unless they are older than 8 years and supervised.

Keep the appliance and its cord out of reach of children aged less than 8 years.

Children of less than 3 years should be kept away from the unit unless continuously supervised.

Children aged from 3 years and less than 8 years shall only switch on / off the appliance provided that it has been placed or installed in its normal operating position and they have been given supervision or instruction concerning use of the appliance in a safe way and understand the hazards involved.

Children aged from 3 years and less than 8 years shall not plug in, clean the appliance or perform user maintenance.

CAUTION: Some parts of this product can become very hot and cause burns. Particular attention has to be given where children and vulnerable people are present.

2.0 Installation

- Before proceeding with the installation, the heating system design must be considered and the unit correctly sized to meet the heat loss requirements of the room.
- Before proceeding with the installation, unpack the carton contents and check against the checklist below:
 1. KICKSPACE® unit.
 2. Flexible hoses including isolating valves (1 pair).
 3. Instruction manual.
 4. Warranty card.
 5. Grille.
 6. Screw fixing kit (with grille).
- This MYSON KICKSPACE® fan convector is designed for installation in the cavity beneath kitchen cupboards on the vacant floor space, or other similar locations.
- For KICKSPACE® 500 DUO a minimum of 25mm clear headroom is required above the top of the KICKSPACE® when fitted.
- The unit should be mounted on a clean and level floor area under the cupboard base.
- KICKSPACE® 500 DUO floor mounting (see Fig. 1a) - The KICKSPACE® is normally fitted directly onto the floor and the base of the unit is fitted with four mounting feet.
- KICKSPACE® 500 DUO plinth mounting (see Fig. 1b) -
 - As an alternative to floor mounting the unit may be fitted into the plinth.
 - A suitable support must be securely fitted to the floor.
 - The top of the support must be level with the lower edge of the cut-out when fitted.

3.0 Water Connection

- The KICKSPACE® should only be used on closed circulation, two pipe, pump assisted central heating systems.
- For optimum fan convector heating performance the system must be capable of providing sufficient hot water through the heat exchanger. This means that:
 1. The minimum pipe size from boiler to fan convector must be at least 15mm. Microbore pipe **MUST NOT** be used.
 2. Where the unit is fitted on to a system with other emitters a separate circuit for the fan convector should be considered to provide adequate water flow.
 3. The system water temperature on the return of the KICKSPACE® must be above 43°C for the fan to switch on.
 4. **This unit is NOT suitable for one-pipe systems.**
 5. Optimum performance will require effective balancing of the whole system.
 6. This unit must not be used to replace a radiator in an existing system unless an adequate flow of water can be guaranteed.

- Decide the position of the KICKSPACE®, mark out and cut the plinth to the dimensions using table on page 6.
- Complete connection to the central heating system according to Section 3, Water Connection.
- Position the KICKSPACE® under the cupboard in the required location, with the front edge just behind the line of the plinth.
- Replace the plinth and bring the KICKSPACE® forward into the opening so the front edge projects approximately 10mm through the plinth.
- KICKSPACE® DUO is fitted with a transit cover to protect the electric element and to minimise risk of electric shock prior to the grille being fitted. The cover must only be removed with the electrical supply switched off immediately prior to fitting of the grille.
- Align the grille and secure it to the unit with two screws supplied (use the shorter screws). (See Fig. 2).
- Secure the unit/grille to the plinth with two screws supplied (use the longer screws). (See Fig. 2).
- Complete the electrical installation, switch on and test the KICKSPACE® (see Fig. 3).
- When installed in a kitchen consideration should be given to storage of perishable goods in the cupboard above.
- No rear access to the unit shall be available after installation.

Pipework must be positioned correctly to ensure flexible hoses are not kinked when installed (see Figs. 5a & 5b). Only use the hose sets supplied with this unit. Do not use old or alternative hose sets.

- Connect valve ends of the flexible pipes to the KICKSPACE®.
- Note:** The direction of the arrows on the valves are not significant in this application (see Fig. 4).
- Open valves fully, check pipe connections for leaks and vent the heat exchanger. A vent screw is provided to vent the heat exchanger.

4.0 Electrical Connection

WARNING: KICKSPACE® 500 DUO models must be earthed.

- The electrical installation must comply with local or national wiring regulations.
- This unit is supplied fitted with a 2 metre 0.75mm² cord.
- For KICKSPACE® 500 DUO a fused (5A) electrical spur with a switch having 3mm separation on all poles must be provided in an easily accessible position adjacent to the unit (see Fig.6).
- If the supply cord to KICKSPACE® 500 DUO is damaged, it must be replaced by the manufacturer, its service agent or similar qualified persons in order to avoid a hazard.

Do not energise the electrical supply until the remaining stages of the installation have been completed.


5.0 Controls

WARNING: This heater is not equipped with a device to control the room temperature. Do not use this heater in small rooms when they are occupied by persons not capable of leaving the room on their own, unless constant supervision is provided.

This unit is controlled by the switches on the front of the unit (see Fig. 3).

Ensure the electricity supply is switched on.

Heating Mode – Central Heating

- Set the fan only/off/heating switch to heating 
- Set the system selector switch to position II
- Set the fan speed switch to position I
- The unit will now run on low fan speed

The system water temperature on the return of the KICKSPACE® must be above 43°C for the fan to switch on*

* When the mean water temperature is greater than the 43°C the fan will switch on, then when the water temperature drops below 43°C the fan will switch off.


Performance will depend on the water temperature at the coil and the flow through the coil.

The fan speed can be set to boost by switching the fan speed to II.

A low setting is recommended for normal operation with the higher speeds for boost heating when required.

Heating mode – Electric

The KICKSPACE® 500 DUO incorporates a 1 kW electric heating element to provide heating when the central heating is not in operation. The electric element is controlled independently but cannot be used simultaneously with the central heating.


- Set the fan only/off/heating switch to heating 
- Set the system selector switch to position I
- Set the fan speed switch to position I
- The unit will now run on low fan speed

The element will not activate if the system water temperature on the return of the KICKSPACE® is above 40°C.

In electric mode at low speed the air temperature will feel warmer than at high speed.

Fan Only Mode

If required, the KICKSPACE® can be used in summer for air circulation without heat.

- Set the fan only/off/heating switch to fan only 
- Adjust fan speed to required setting

WARNING: DO NOT cover the unit or obstruct the grille as this could give risk of fire.

6.0 Troubleshooting

Once installed this fan convector becomes an integral part of a complete heating system that includes boiler, pump, other emitters such as radiators and fan convectors, and a number of heating controls, dependent on system complexity. An apparent

problem with this unit may be the result of system controls being incorrectly set and can be solved easily without calling out your installer. Before calling your installer, please carry out the checks listed below.

Problem	Possible Causes	Remedy
Fan not working in heating mode	Unit switched off	Turn on
	Room thermostat not calling for heat	Turn up room thermostat
	Unit not switched on at fused spur	Switch on at spur
	Fuse blown at fused spur	Replace fuse
	Unit isolating valves shut	Open valves
	Water temperature of KICKSPACE® below 43°C	Ensure boiler, pump and other central heating equipment is working correctly, if not contact your installer
		Note: Operation of fan can be checked by switching to summer setting

If the fan convector is still faulty after checking the above, call your installer.

KICKSPACE® may have poor performance/cycle if a low water temperature/flow rate is supplied, please refer to your installer as this could be from the following:

- Unit incorrectly sized for heat loss of room
- Lack of flow to KICKSPACE® from heating system
- Pipe sizes/pump sized incorrectly
- System incorrectly balanced

7.0 Appendix

Heating Performance Data

Model	Fan Speed	Temperature Difference (°C)									
		Heat Output (Watts)					Heat Output (Btu/h)				
		ΔT20	ΔT30	ΔT40	ΔT50	ΔT60	ΔT20	ΔT30	ΔT40	ΔT50	ΔT60
500 DUO	Normal	393	566	733	896	1056	1340	1930	2501	3057	3603
	Boost	447	683	923	1166	1412	1524	2331	3150	3980	4817

Heat outputs tested in accordance with BS 4856 Part 1.

Flow Rate: 340 ltr/h (75 gal/h).

Flow Rate Correction Factors:

455 ltr/h (100 gal/h) multiply output by 1.03.

227 ltr/h (50 gal/h) multiply output by 0.96.

113 ltr/h (25 gal/h) multiply output by 0.85.

Test Pressure 20 bar

Maximum Working Pressure 10 bar

Rated Power in Electric Mode 1025W

Sound Levels

Model	Sound Pressures at 2.5m (dBA)	
	Normal	Boost
500 DUO	25.7	38.1

Sound levels tested in accordance with EN 23741.

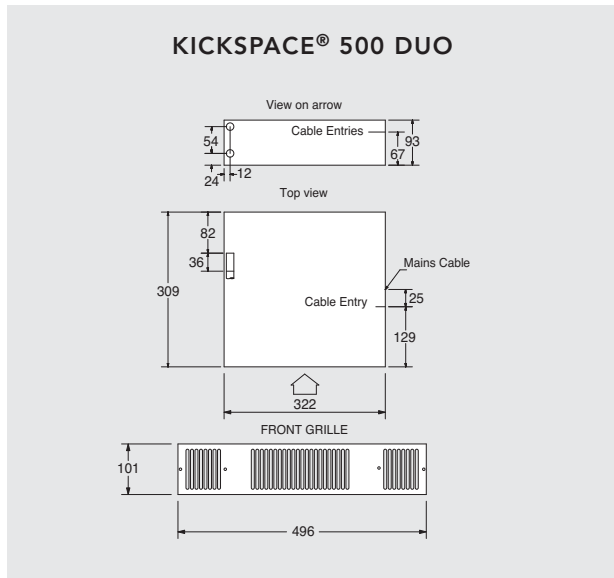
Approximate Hydraulic Resistance

Litres/h	500 DUO	
	mm wg	kPa
455	788	7.7
340	488	4.8
227	231	2.3
113	82	0.8

Weight, Water Content and Motor Power

Model	Motor Power (W)	Water Content (l)	Unit Weight (kg)
500 DUO	25	0.26	4.3

7.0 Appendix (continued...)



Dimensions

Dimensions (mm)	
A	B
466	93

A = Width of cutout
B = Height of cutout

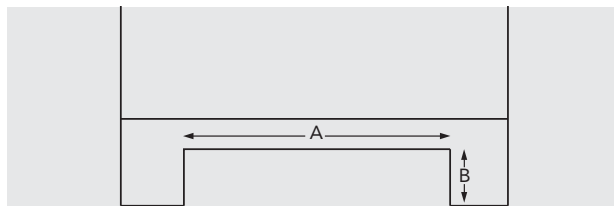


Fig. 1a Plinth opening - floor mounting

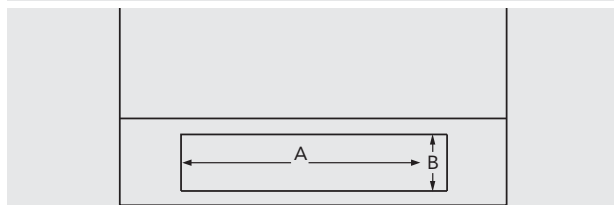


Fig. 1b Plinth opening - plinth mounting

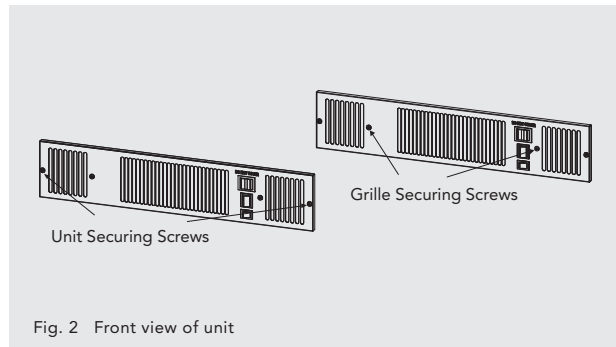


Fig. 2 Front view of unit

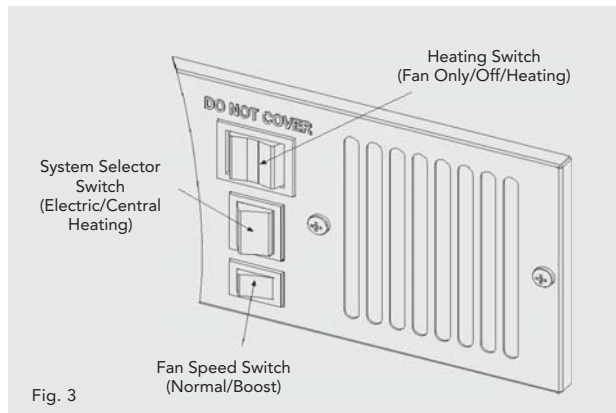


Fig. 3

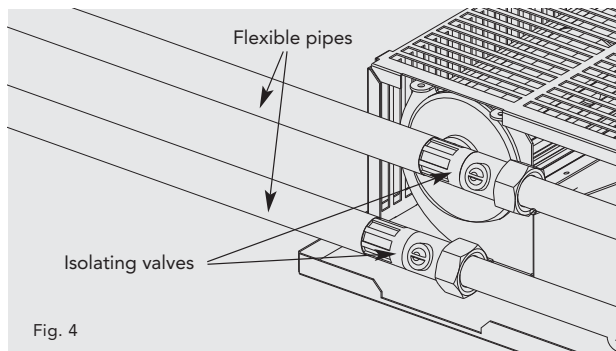


Fig. 4

7.0 Appendix (continued...)

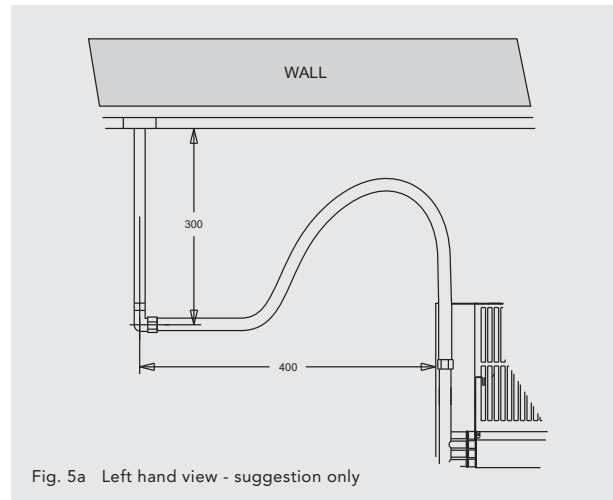


Fig. 5a Left hand view - suggestion only

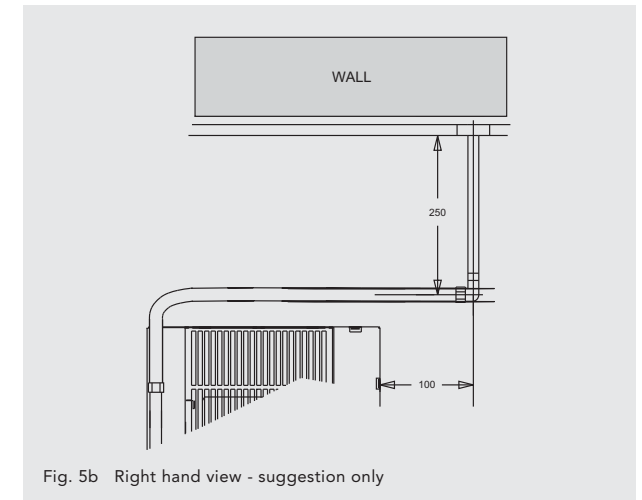


Fig. 5b Right hand view - suggestion only

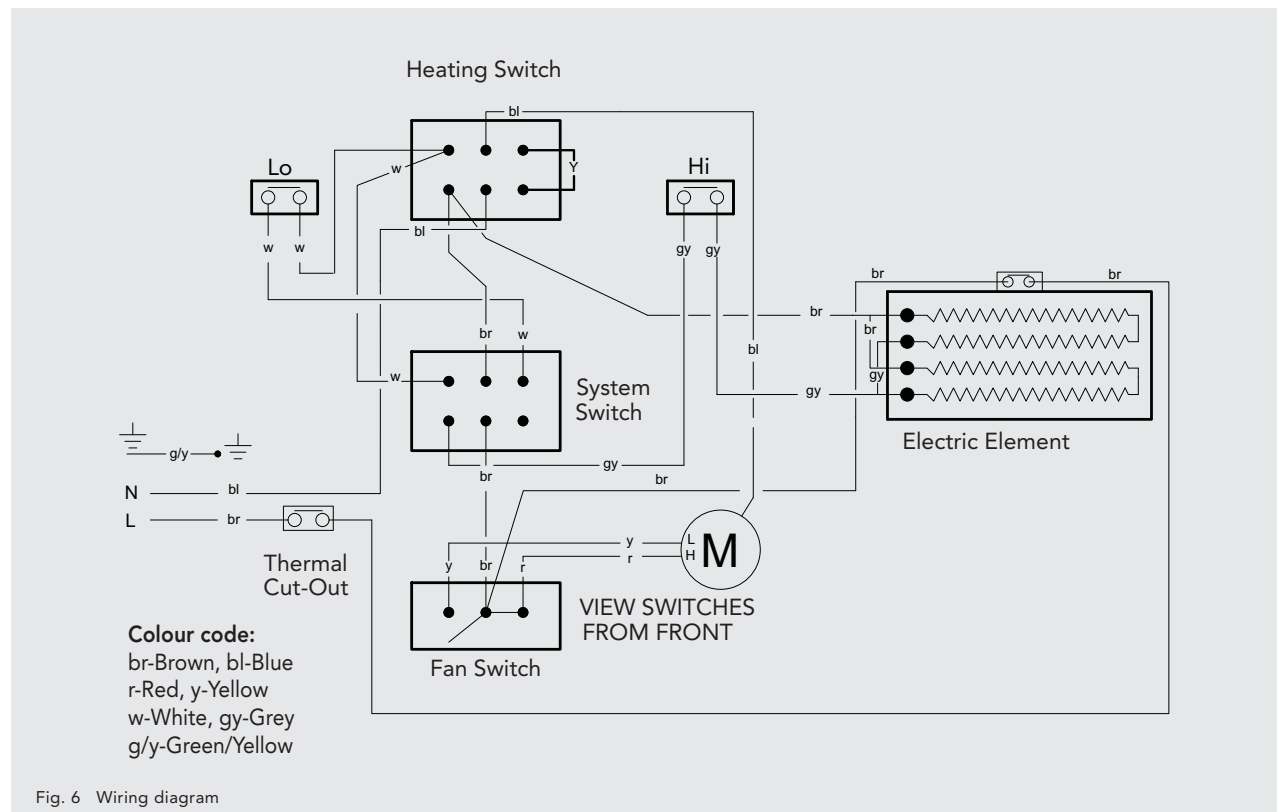


Fig. 6 Wiring diagram