

MYSON Eastern Avenue, Team Valley, Gateshead, Tyne & Wear NE11 0PG, UK
T: 0845 402 3434, F: 0191 491 7568, sales@myson.co.uk, www.myson.co.uk



FINESSE EC

INSTALLATION, OPERATING,
& INSTRUCTION MANUAL

PLEASE LEAVE THIS MANUAL WITH THE END USER

Class 1 - 230V - 50 Hz

01.04.2016



COMPLETE HEATING SOLUTIONS

Contents

1.0	Warnings & Safety Information	03
2.0	General Information	05
3.0	Maintenance, Repair & Disposal	05
4.0	Waste Disposal According to The WEEE Directive (2002/96/EC)	05
5.0	Installation	06
6.0	Operating Instructions	07
7.0	Technical Characteristics	07
8.0	Warranty	07

1.0 Warnings & Safety Information

SAFETY INFORMATION

This appliance can be used by children aged from 8 years and above and persons with reduced physical, sensory or mental capabilities or lack of experience and knowledge, if they have been given supervision or instruction concerning use of the appliance in a safe way and understand the hazards involved.

Children shall not play with the appliance. Cleaning and user maintenance shall not be made by children unless they are older than 8 and supervised.

Keep the appliance and its cord out of reach of children aged less than 8 years.

Children of less than 3 years should be kept away from the unit unless continuously supervised.


Children aged from 3 years and less than 8 years shall only switch on/off the appliance provided that it has been placed or installed in its normal operating position and they have been given supervision or instruction concerning use of the appliance in a safe way and understand the hazards involved.

Children aged from 3 years and less than 8 years shall not plug in, regulate, clean the appliance or perform user maintenance.

1.0 Warnings & Safety Information (cont...)

CAUTION

Some parts of this product can become very hot and cause burns. Particular attention has to be given where children and vulnerable people are present.

 In order to avoid overheating, do not cover the radiator. "Do not cover" means that the radiator must not be used for drying clothes, for example, by placing them directly on the radiator.



WARNING

This radiator is not equipped with a device to control the room temperature. Do not use this radiator in small rooms when they are occupied by persons not capable of leaving the room on their own, unless constant supervision is provided.



IMPORTANT SAFETY INSTRUCTIONS!

Before starting work disconnect power supply!

All installation work and wiring work related to the radiators, thermostats and programmers must be carried out only when de-energized.

The appliance should be installed by and commissioned by qualified professionals only.

Make sure to adhere to valid safety regulations.

Any repairs or maintenance within the warranty period should be carried out only by approved service engineers confirmed by MYSON.

For the correct installation of radiators it is essential that the fixing of the radiator is carried out in such a way that it is suitable for intended use AND predictable misuse. A number of elements need to be taken into consideration including the fixing method used to secure the radiator to the wall, the type and condition of the wall itself, and any additional potential forces or weights, prior to finalising installation. **IN ALL CASES IT IS STRONGLY RECOMMENDED THAT A SUITABLY QUALIFIED PROFESSIONAL INSTALLER OR SIMILAR TRADESPERSON CARRIES OUT THE INSTALLATION.**

PLEASE NOTE: The fixing materials provided are only intended for installation on walls made of solid wood, bricks, concrete or on timber-frame stud walls where the fixing is into the timber. All walls being considered should have no more than a maximum of 3mm wall finishing. For walls made of other materials, for example hollow bricks, please consult your installer and/or specialist supplier. **ONCE AGAIN, IF YOU ARE UNSURE, IT IS STRONGLY RECOMMENDED THAT A SUITABLY QUALIFIED PROFESSIONAL INSTALLER OR SIMILAR TRADESPERSON CARRIES OUT THE INSTALLATION.**

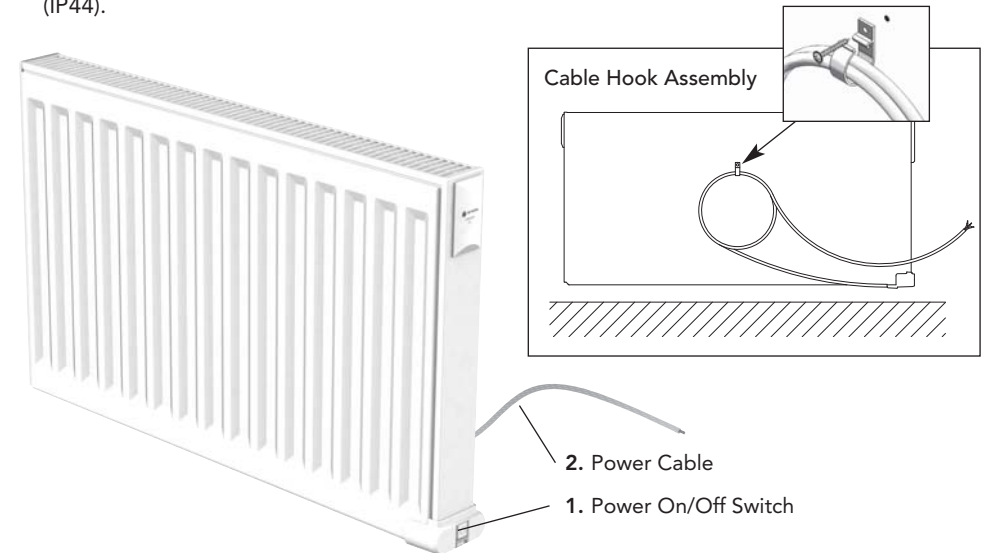
The radiator is equipped with an overheat protection that cannot be reset (melt fuse). This overheat protection disconnects the current if the radiator becomes too hot (e.g. when covered).

If the supply cord is damaged, it must be replaced by the manufacturer, his service agent or similar qualified persons in order to avoid a hazard.

The radiator is filled with an exact amount of environmental friendly vegetable oil. Any repairs that require the radiator to be opened shall therefore only be carried out by the manufacturer or his approved agent. Please contact MYSON in case of leakage.

2.0 General Information

- This appliance is a sealed electric radiator designed for fixed wall-mounted installation.
- This appliance conforms to the standards EN 60335-1 and EN 60335-2-30.
- This appliance is class 1 and splash resistant (IP44).
- This appliance complies with the European Directive 2004/108/EC (CE Marking on all appliances).
- This unit is supplied complete with a connection cable and wall brackets.



3.0 Maintenance, Repair & Disposal

- Use only a damp cloth for cleaning and wiping of the radiator which should be switched off at this time.
- When scrapping the radiator, follow the regulations concerning the disposal of oil.

4.0 Waste Disposal According to The WEEE Directive (2012/19/EU)



Waste disposal according to the WEEE Directive (2012/19/EU). The symbol on the product label indicates that the product may not be handled as domestic waste, but must be sorted separately. When it reaches the end of its useful life, it shall be returned to a collection facility for electrical and electronic products. By returning the product, you will help to prevent possible

negative effects on the environment and health to which the product can contribute if it is disposed of as ordinary domestic waste. For information about recycling and collection facilities, you should contact your local authority/municipality or refuse collection service or the business from which you purchased the product. Applicable to countries where this Directive has been adopted.

5.0 Installation

POSITIONING

- The radiator must be positioned horizontally, the right way up on the wall in order for it to function correctly. Never switch the radiator on in any other position as this will damage the electrical element.
- The radiator must be positioned according to the applicable standards and the minimum distances as specified in figure 1 should be carefully observed.
- The radiator must not be located underneath an electric socket.

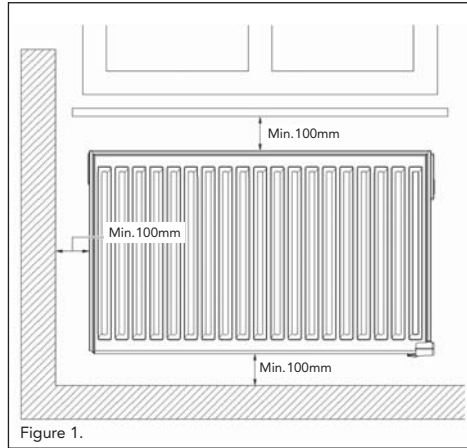


Figure 1.

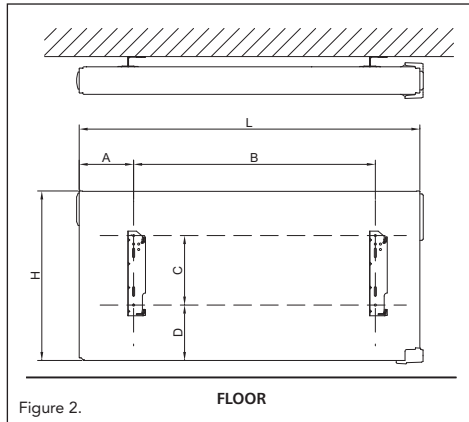


Figure 2.

- This product is splash resistant with an IP44 rating. This must be considered when installing in a location containing a bath or shower, as defined by BS 7671.
- The radiator may be positioned in zone 2 (figure 4) of the bathroom, in so far as no operating controls (button, switch, etc.) are in reach of persons in the bath or under the shower.

FIXING

- Mark out the distance between the brackets and the positions for the screw holes as shown in figure 2 and the dimension tables at the top of page 7, and ensure the safety clips are used (see figure 3).

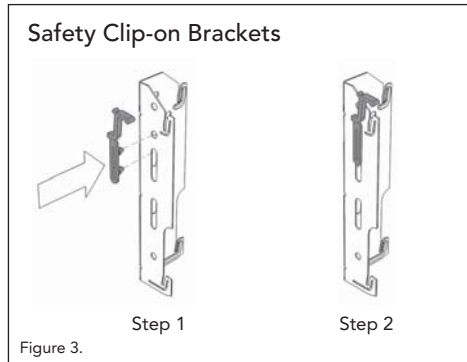


Figure 3.

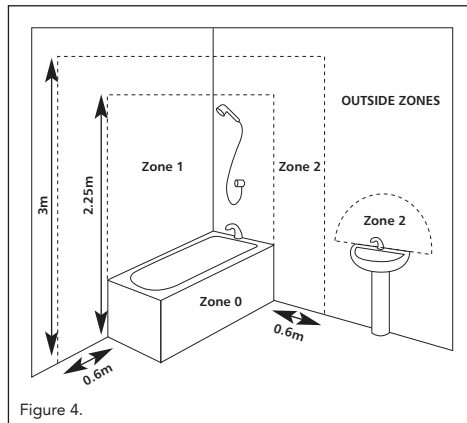


Figure 4.

5.0 Installation (cont...)

FINESSE EC Double Panel (refer to figure 2)

Height (mm)	300		500		Length (mm)		400		500		650		800		950		1000		1250		1300		1600		2000	
	C	135	205	A	160	160	160	160	160	160	160	160	160	160	160	160	160	160	160	160	160	160	160	160	160	160
D	90	163	B	101	203	355	508	660	711	965	1016	1320	1727													

CONNECTION

- The electrical installation must comply with local or national regulations.
- The radiator must be connected to the electrical supply, using a switched fused spur with 3mm separation on all poles.
- If the radiator is installed in a bathroom or shower room, it must be protected with a residual current device (RCD) with a rated residual current not exceeding 30 mA.
- **The radiator should be connected by a suitable and qualified electrician.**

6.0 Operating Instructions

The On/Off button (see page 5) is located at the bottom of the control side of the radiator. The radiator should only be switched "on" when it is correctly installed and secured to the wall brackets.

7.0 Technical Characteristics

Operating temperature	-10°C + 50°C
Electrical protection	Class 1 – IP44
Power supply	230 VAC – 50 Hz
The radiator has been designed to comply with the following Directives and Standards.	<ul style="list-style-type: none"> • EN 60335-1 • EN 60335-2-30 • EN 60529 • LV Directive 2006/95/EC • RoHS Directive 2002/95/EC

8.0 Warranty

The product is covered by a 10 year warranty except for the electrical and electronic components that are covered by a 2 year warranty.

